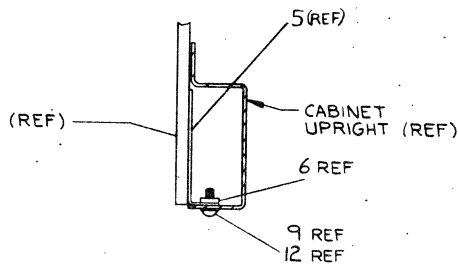
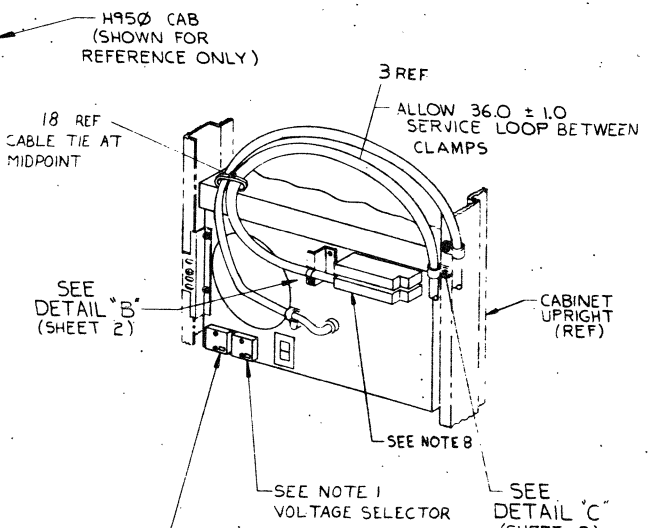
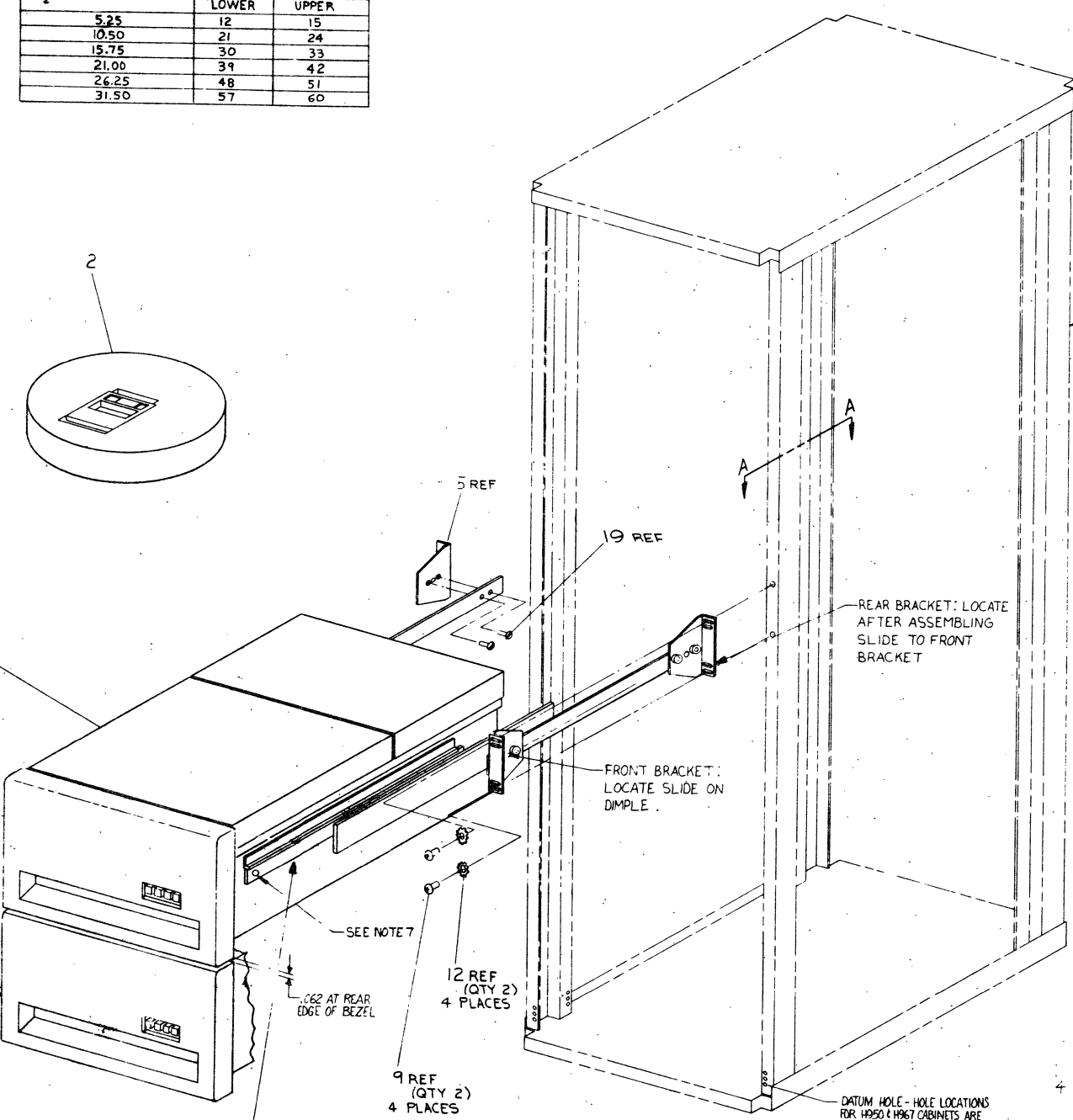




1578

| HOLE LOCATIONS FOR MOUNTING IN H950 AND H967 CABINETS |                            |       |
|---|----------------------------|-------|
| AVAILABLE SPACE BENEATH RLØ2                          | MOUNTING (FROM DATUM HOLE) |       |
|   | LOWER                      | UPPER |
| 5.25  | 12                         | 15    |
| 10.50   | 21                         | 24    |
| 15.75   | 30                         | 33    |
| 21.00   | 39                         | 42    |
| 26.25   | 48                         | 51    |
| 31.50   | 57                         | 60    |

J  
H  
F  
E  
C  
B  
A



SECTION A-A  
(SHOWING TYPICAL MOUNTING OF CHASSIS SLIDES TO CABINET UPRIGHTS)  
SCALE: NONE

7. CONT  
D. SECURE DRIVE TO SLIDES USING SCREWS SUPPLIED. (SEE DETAIL "E", SHEET 4)  
TO REMOVE DRIVE, EXTEND SLIDES FULLY, REMOVE SCREWS, RELEASE LATCHES AND LIFT OFF.  
E. FOR LAST DRIVE IN A SYSTEM, I/O CABLE PLUGS INTO EITHER SOCKET. TERMINATOR (SUPPLIED WITH CONTROLLER) PLUGS INTO THE OTHER.  
NOTES CONT. ON SH 2

NOTES:  
1. MACHINES ARE SHIPPED CONFIGURED FOR 110 V. AND NOMINAL VOLTAGE RANGE. FOR 220 V OPERATION REMOVE TWO SCREWS FROM "VOLTAGE SELECTOR" COVER, WITHDRAW THE COVER, AND RE-INSERT TURNED UPSIDE DOWN. AFTER RE-INSERTION, 220 MUST BE SHOWING THRU THE SMALL WINDOW. REPLACE THE TWO SCREWS, CUT OFF 110V PLUG ON THE POWER CORD, REPLACE BY 220 V PLUG (ITEM 20). FOR COLOR CODE SEE DETAIL "G", SHEET 4.  
2. "LOW LINE" AND "NOMINAL LINE" ARE DEFINED ON COVER OF "VOLTAGE RANGE SELECTOR" FOR LOW LINE VOLTAGE OPERATION REMOVE TWO SCREWS FROM "VOLTAGE RANGE SELECTOR" COVER, WITHDRAW THE COVER AND RE-INSERT IT TURNED UPSIDE DOWN. AFTER INSERTION, "LOW" MUST BE SHOWING THRU THE SMALL WINDOW. REPLACE THE TWO SCREWS.  
3. WHEN AN RLØ2-AK IS ORDERED IN CONJUNCTION WITH H9500, H9501, H9502, H9503, H9600, H9601, H9602, H9603 INTERLOCK KIT (S) (REF 21) OR CABLE RESTRAINT SYSTEM (S) (REF 22) MUST BE ORDERED AND INSTALLED.  
4. WHEN AN RLØ2-AK IS ORDERED IN CONJUNCTION WITH A H9503/ H9603 THE TRIM PIECES (H9514-B) MUST BE ORDERED.  
5. WHEN AN RLØ2-AK IS ORDERED IN CONJUNCTION WITH A H9501/ H9601 TRIM PIECES (H9514-A) MUST BE ORDERED.

6. TO ATTACH SHIPPING BRACKET (ITEM 7) REMOVE TWO SCREWS AND TWO LOCKWASHERS FROM ONE SIDE OF THE POWER PANEL ON THE REAR OF DISK DRIVE (ITEM 1), POSITION A SHIPPING BRACKET TO DETERMINE LOCATION OF "U" NUT (ITEM 13) AND ATTACH BRACKET USING ORIGINAL SCREWS AND LOCKWASHERS AND ITEMS 12 AND 9 (AS SHOWN IN DETAIL "D") BRACKET MAY BE ATTACHED TO EITHER SIDE OF UNIT.  
7. TO MOUNT RLØ2 IN CABINET:  
A. MOUNT BRACKETS AND SLIDES TO UPRIGHTS.  
B. EXTEND SLIDES AS FAR AS POSSIBLE BY RELEASING LATCHES. (SEE DETAIL "F" SHEET 4)  
C. PLACE DRIVE ON SLIDES AND PUSH BACK UNTIL ENDS OF RAILS FIT UNDER TABS ON SLIDES AND LATCHES ENGAGE.

CAUTION: OFF SHEET PARTS LIST EXISTS.  
SEE K-PL-RLØ2-AK-DBP (Z0848).

| REV | DESCRIPTION   | DATE     | BY        | CHKD       |
|-----|---|----------|-----------|------------|
| 1   | ISSUED FOR PRODUCTION   | 11-15-78 | B. MILLER | K. GUENZEL |
| 2   | REVISED TO ACCOMMODATE H9500, H9501, H9502, H9503, H9600, H9601, H9602, H9603 | 1-15-79  | B. MILLER | K. GUENZEL |
| 3   | REVISED TO ACCOMMODATE H9501, H9601   | 1-15-79  | B. MILLER | K. GUENZEL |
| 4   | REVISED TO ACCOMMODATE H9501, H9601   | 1-15-79  | B. MILLER | K. GUENZEL |

| DESCRIPTION                | QTY | UNIT | ITEM NO. |
|----------------------------|-----|------|----------|
| DISK DRIVE KIT & CARTRIDGE | 1   | EA   | RLØ2     |

THIRD ANGLE PROJECTION  
DO NOT SCALE DIMS  
NEXT HIGHER ASSY.  
MATERIAL SEE PARTS LIST  
FINISH

DRN: [Signature]  
CHKD: [Signature]  
PROJ. ENGR: [Signature]  
DATE: 11-15-78

FIRST USED ON: RLØ2  
DATE: 11-15-78

TITLE: DISK DRIVE MTG. KIT & CARTRIDGE

SCALE: 1:1  
SHEET: 1 OF 4

REVISIONS

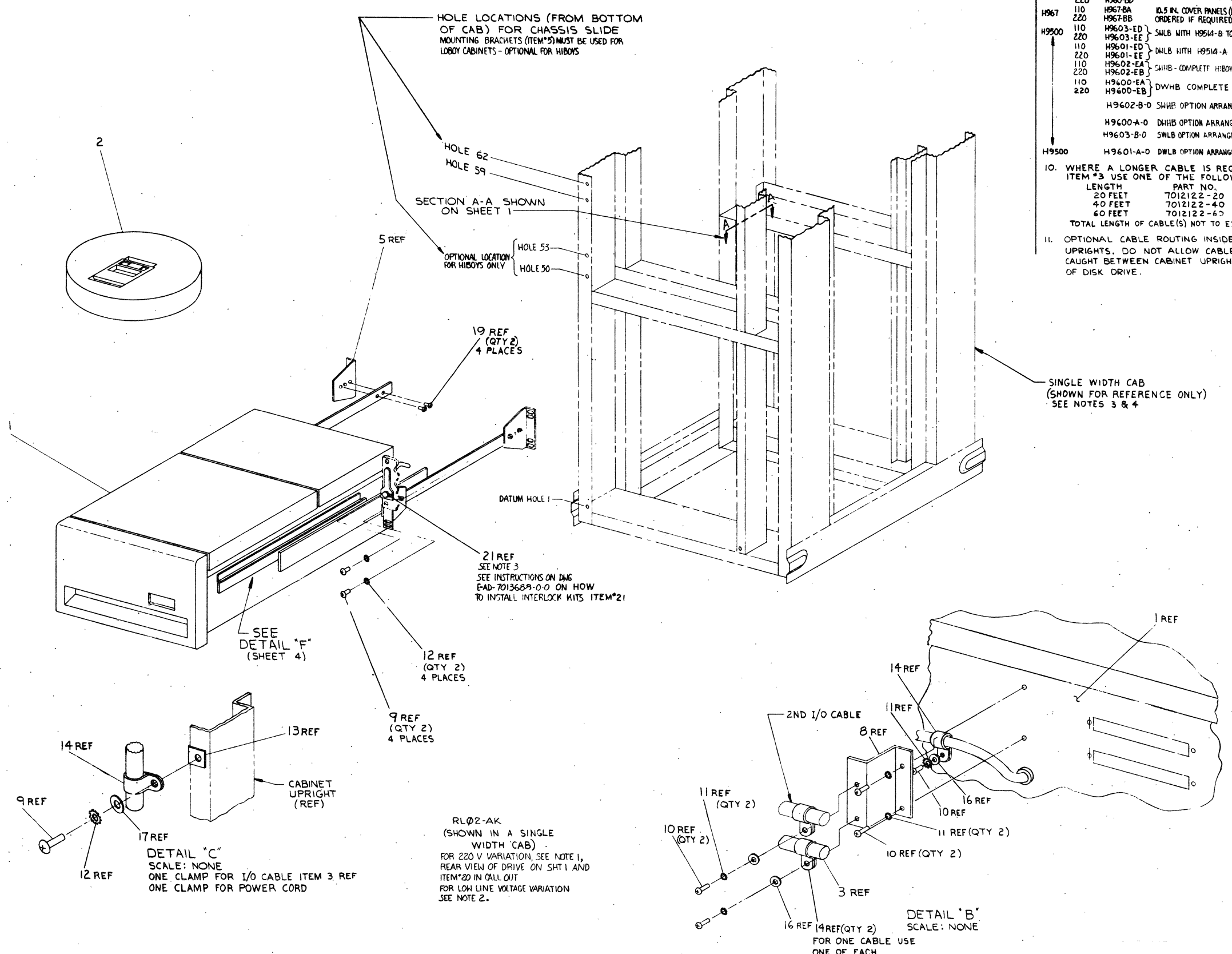
| NO. | DATE | DESCRIPTION |
|-----|------|-------------|
|     |      |             |

NOTES: (CONT.)

9. CABINET OPTIONS INCLUDE SKINS, DOORS, COVERS, TRIM, & PWR. CONTROLLERS.

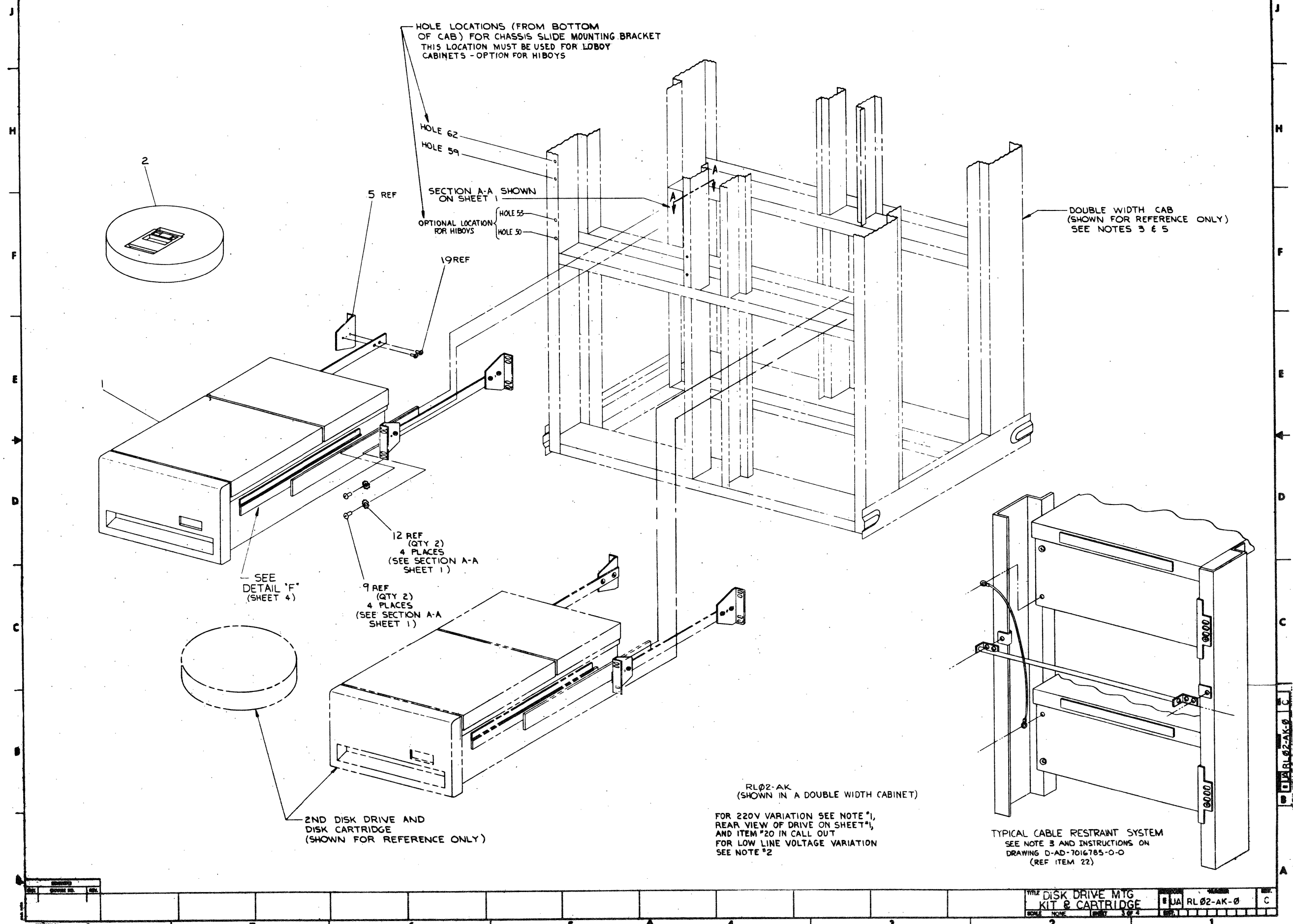
| TYPE  | VOLTAGE | DWG       | REMARKS  |
|-------|---------|-----------|--|
| H950  | 110     | H960-BC   | INCLUDES FIVE 10.5 IN. PANELS                                |
|       | 220     | H960-BD   |  |
| H967  | 110     | H967-BA   | 10.5 IN. COVER PANELS (H950-QA) MUST BE ORDERED IF REQUIRED. |
|       | 220     | H967-BB   |  |
| H9500 | 110     | H9603-ED  | SALB WITH H9514-B TOP COVERS.                                |
|       | 220     | H9603-EE  |  |
|       | 110     | H9601-ED  | DWLB WITH H9514-A TOP COVERS.                                |
|       | 220     | H9601-EE  |  |
|       | 110     | H9602-EA  | CHHB - COMPLETE HIBOY CABINET.                               |
|       | 220     | H9602-EB  |  |
|       | 110     | H9600-EA  | DWHB - COMPLETE HIBOY CABINET                                |
|       | 220     | H9600-EB  |  |
|       |         | H9602-B-D | SHHB OPTION ARRANGEMENT DWG. ORDER AS REQ'D                  |
|       |         | H9600-A-D | DHIB OPTION ARRANGEMENT DWG. ORDER AS REQ'D                  |
|       |         | H9603-B-D | SWLB OPTION ARRANGEMENT DWG. ORDER AS REQ'D                  |
| H9500 |         | H9601-A-D | DWLB OPTION ARRANGEMENT DWG. ORDER AS REQ'D                  |

10. WHERE A LONGER CABLE IS REQUIRED THAN ITEM #3 USE ONE OF THE FOLLOWING:
- | LENGTH  | PART NO.   |
|---------|------------|
| 20 FEET | 7012122-20 |
| 40 FEET | 7012122-40 |
| 60 FEET | 7012122-60 |
- TOTAL LENGTH OF CABLE(S) NOT TO EXCEED 100 FEET
11. OPTIONAL CABLE ROUTING INSIDE CHANNEL UPRIGHTS. DO NOT ALLOW CABLES TO BE CAUGHT BETWEEN CABINET UPRIGHTS AND REAR OF DISK DRIVE.



RL02-AK  
(SHOWN IN A SINGLE WIDTH CAB)  
SCALE: NONE  
FOR 220 V VARIATION, SEE NOTE 1, REAR VIEW OF DRIVE ON SHT 1 AND ITEM #20 IN CALL OUT  
FOR LOW LINE VOLTAGE VARIATION SEE NOTE 2.

REVISIONS



HOLE LOCATIONS (FROM BOTTOM OF CAB) FOR CHASSIS SLIDE MOUNTING BRACKET  
THIS LOCATION MUST BE USED FOR LOBOY CABINETS - OPTION FOR HIBOYS

HOLE 62  
HOLE 59

SECTION A-A SHOWN ON SHEET

HOLE 53  
HOLE 50  
OPTIONAL LOCATION FOR HIBOYS

5 REF

19 REF

DOUBLE WIDTH CAB (SHOWN FOR REFERENCE ONLY)  
SEE NOTES 3 & 5

12 REF (QTY 2)  
4 PLACES (SEE SECTION A-A SHEET 1)

9 REF (QTY 2)  
4 PLACES (SEE SECTION A-A SHEET 1)

SEE DETAIL "F" (SHEET 4)

2ND DISK DRIVE AND DISK CARTRIDGE (SHOWN FOR REFERENCE ONLY)

RL02-AK (SHOWN IN A DOUBLE WIDTH CABINET)

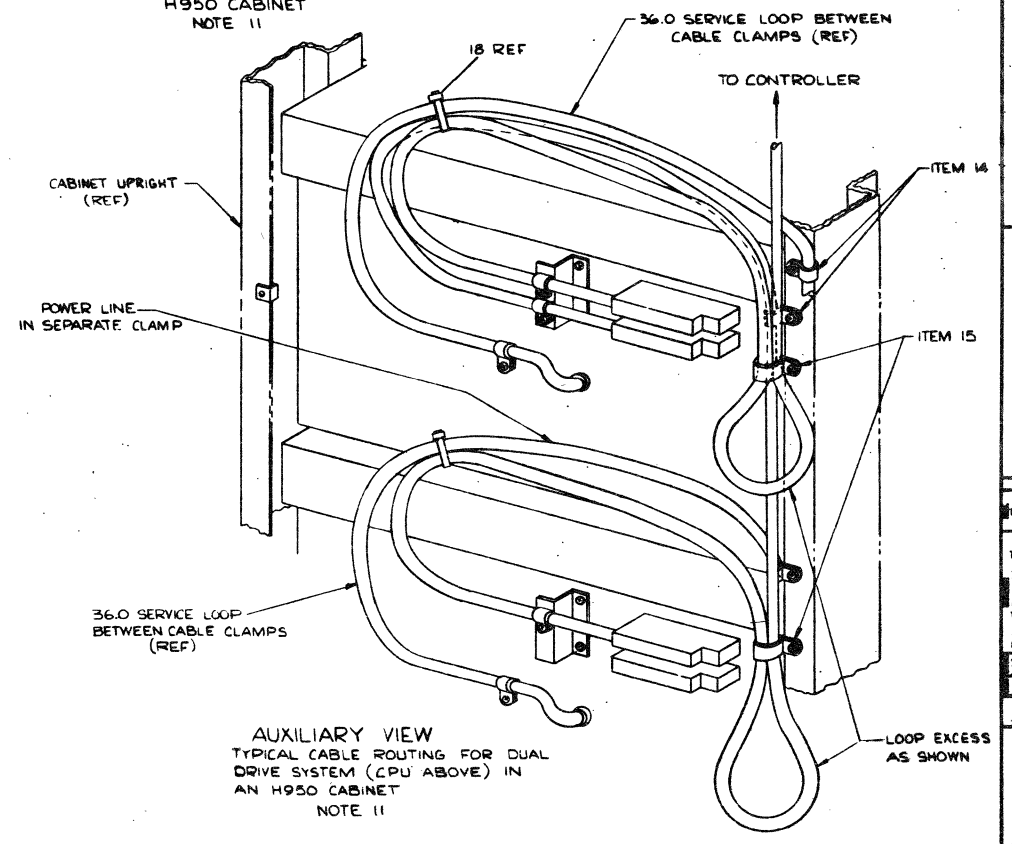
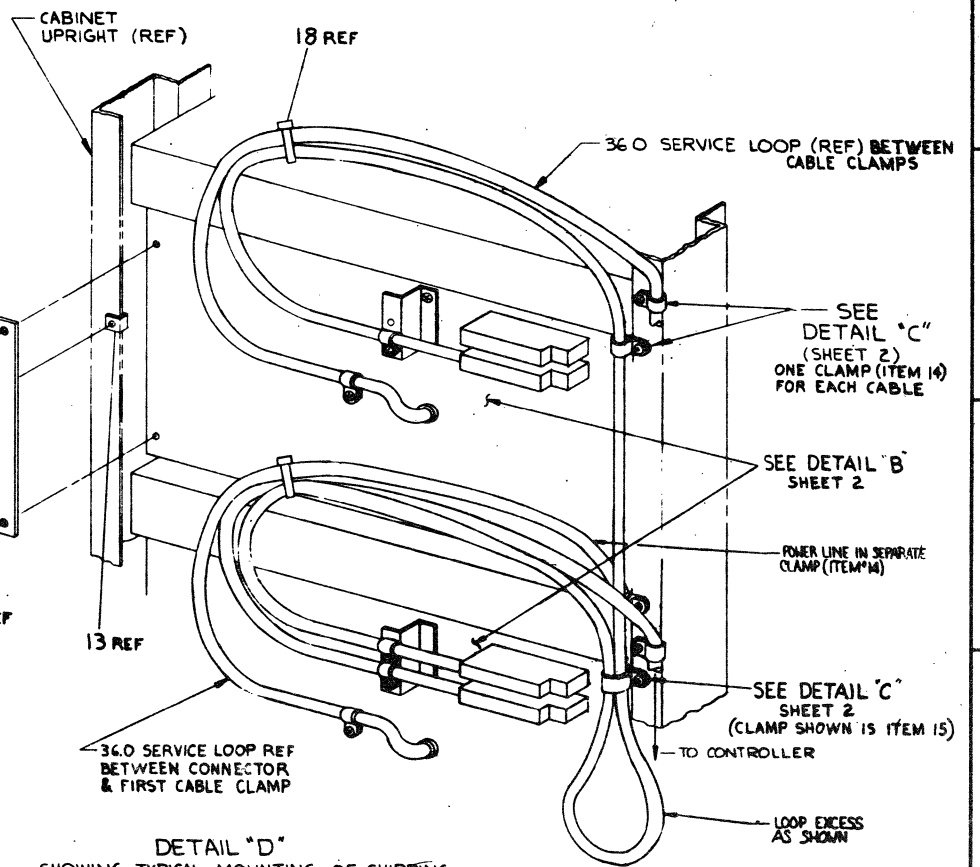
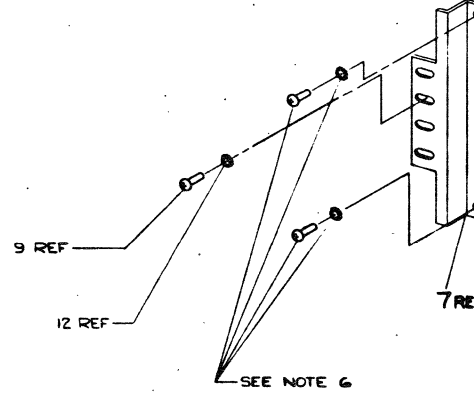
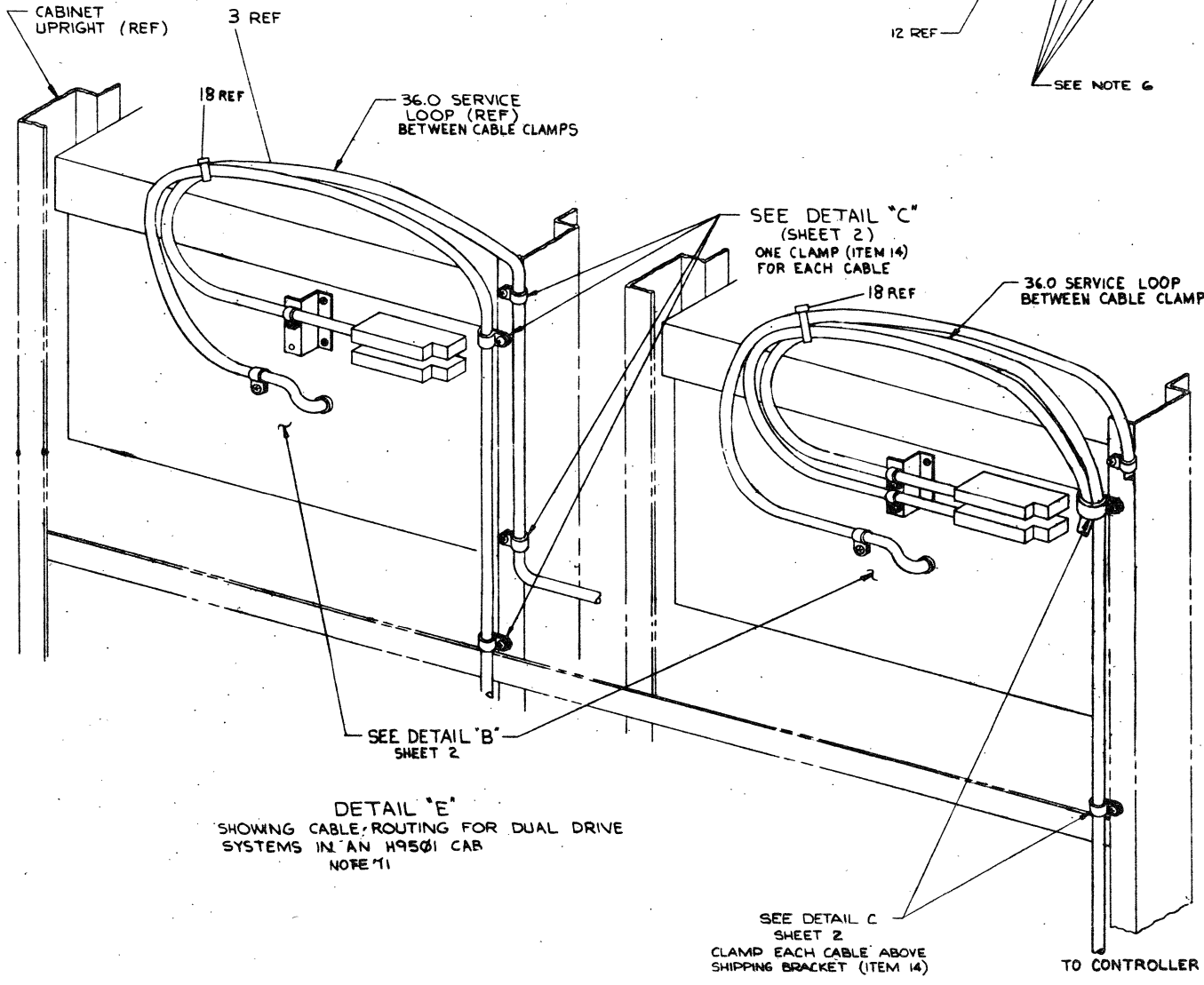
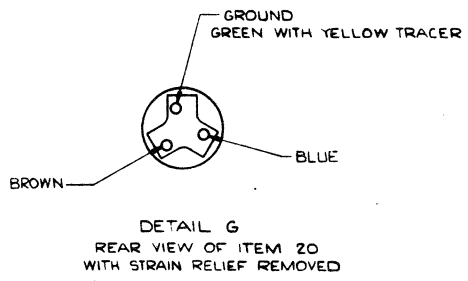
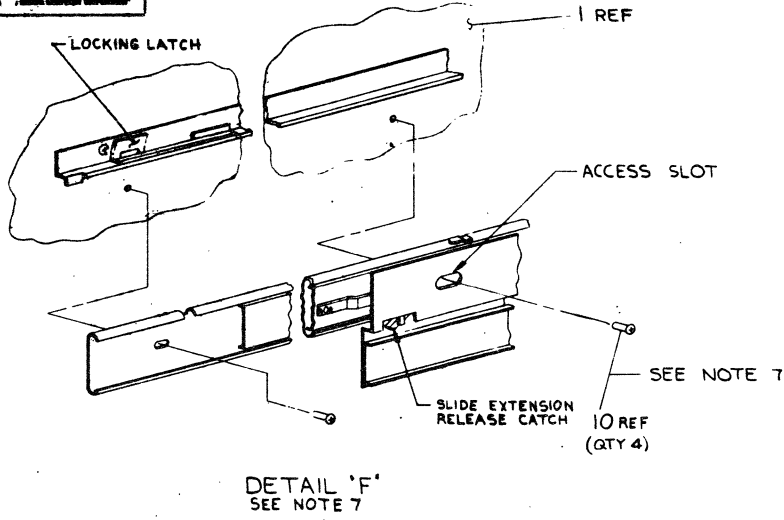
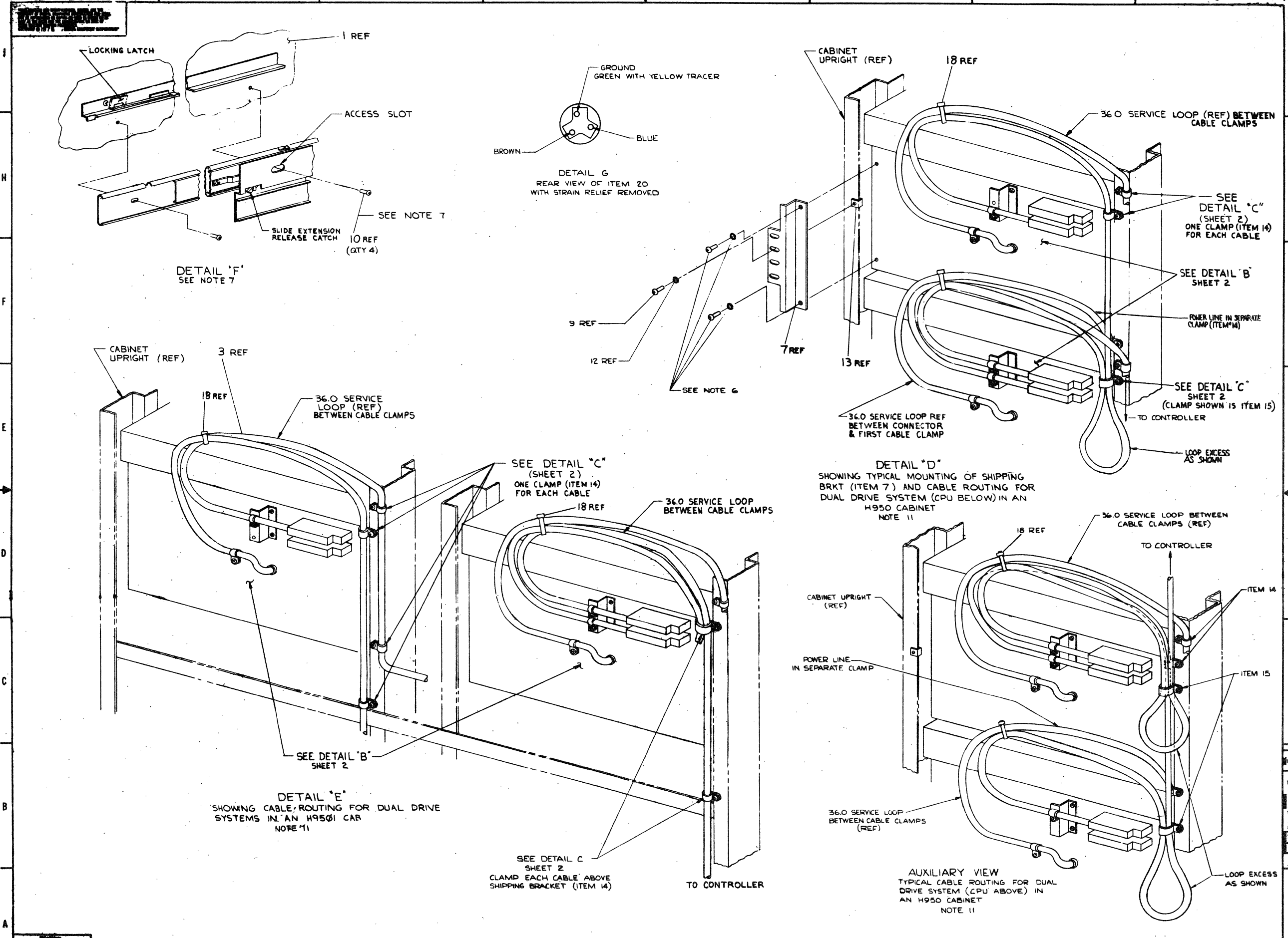
FOR 220V VARIATION SEE NOTE #1, REAR VIEW OF DRIVE ON SHEET #1, AND ITEM #20 IN CALL OUT FOR LOW LINE VOLTAGE VARIATION SEE NOTE #2

TYPICAL CABLE RESTRAINT SYSTEM  
SEE NOTE 3 AND INSTRUCTIONS ON DRAWING D-AD-7016785-0-0 (REF ITEM 22)

|     |      |    |     |
|-----|------|----|-----|
| REV | DATE | BY | CHK |
|     |      |    |     |

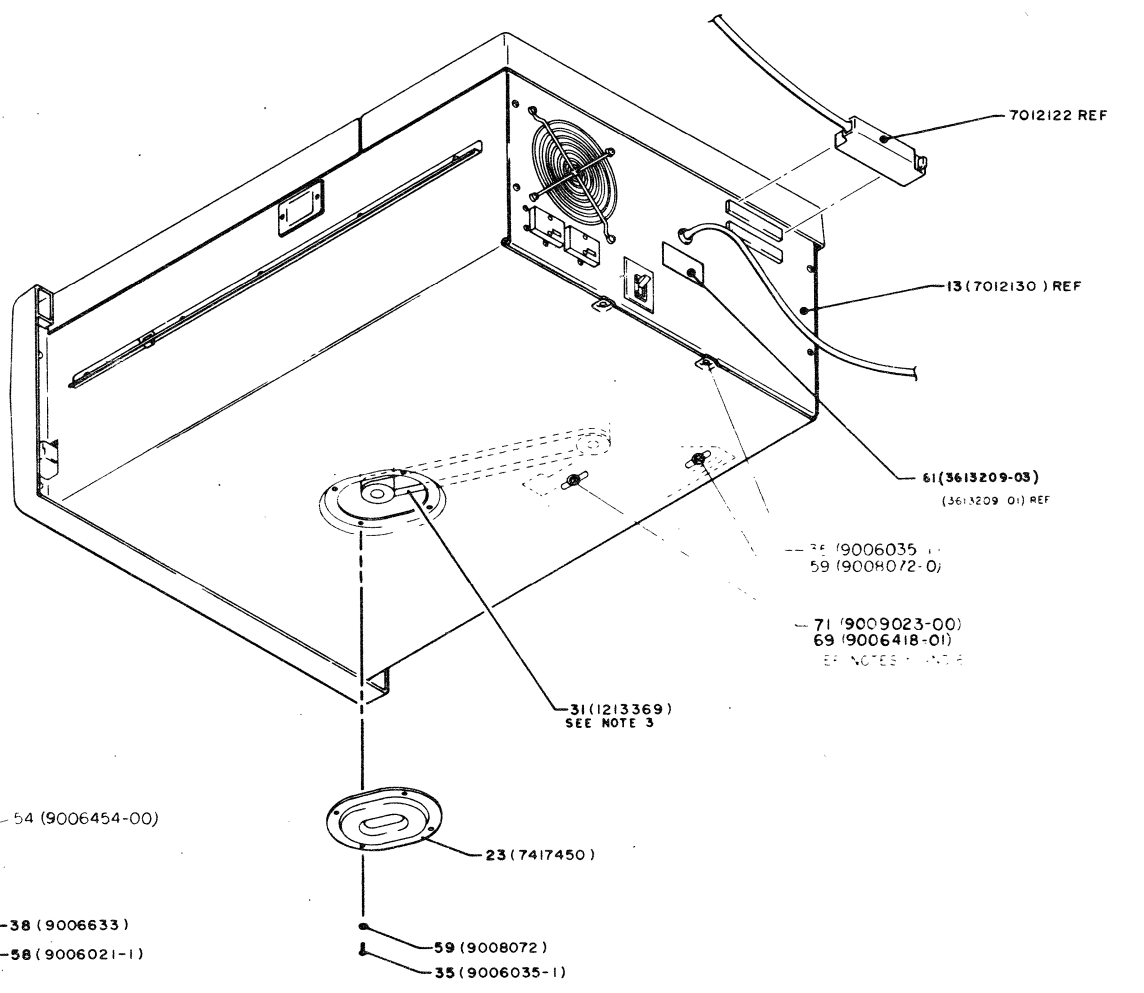
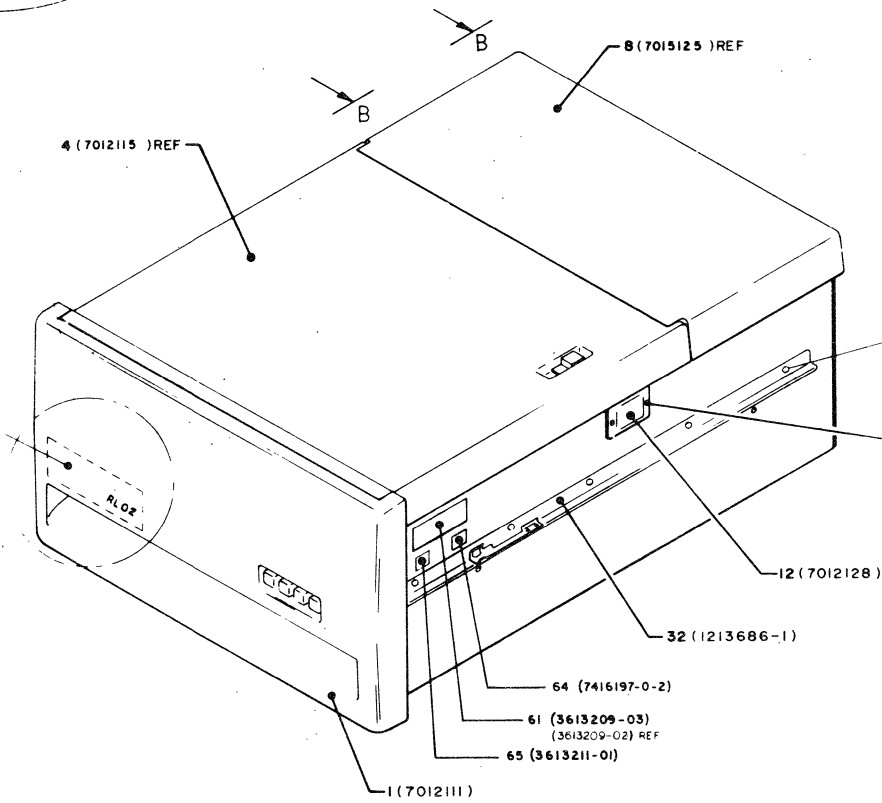
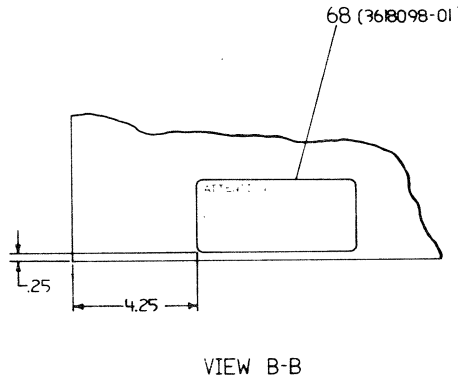
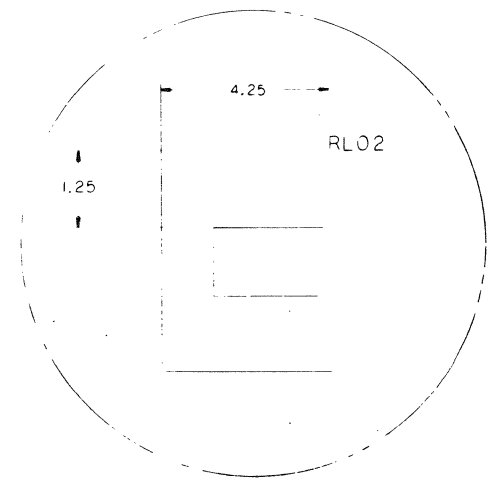
|       |      |                                |     |  |
|-------|------|--------------------------------|-----|--|
| TITLE |      | DISK DRIVE MTG KIT & CARTRIDGE | REV |  |
| SCALE | NOTE | UNIT                           | REV |  |
|       |      |                                |     |  |







RL02



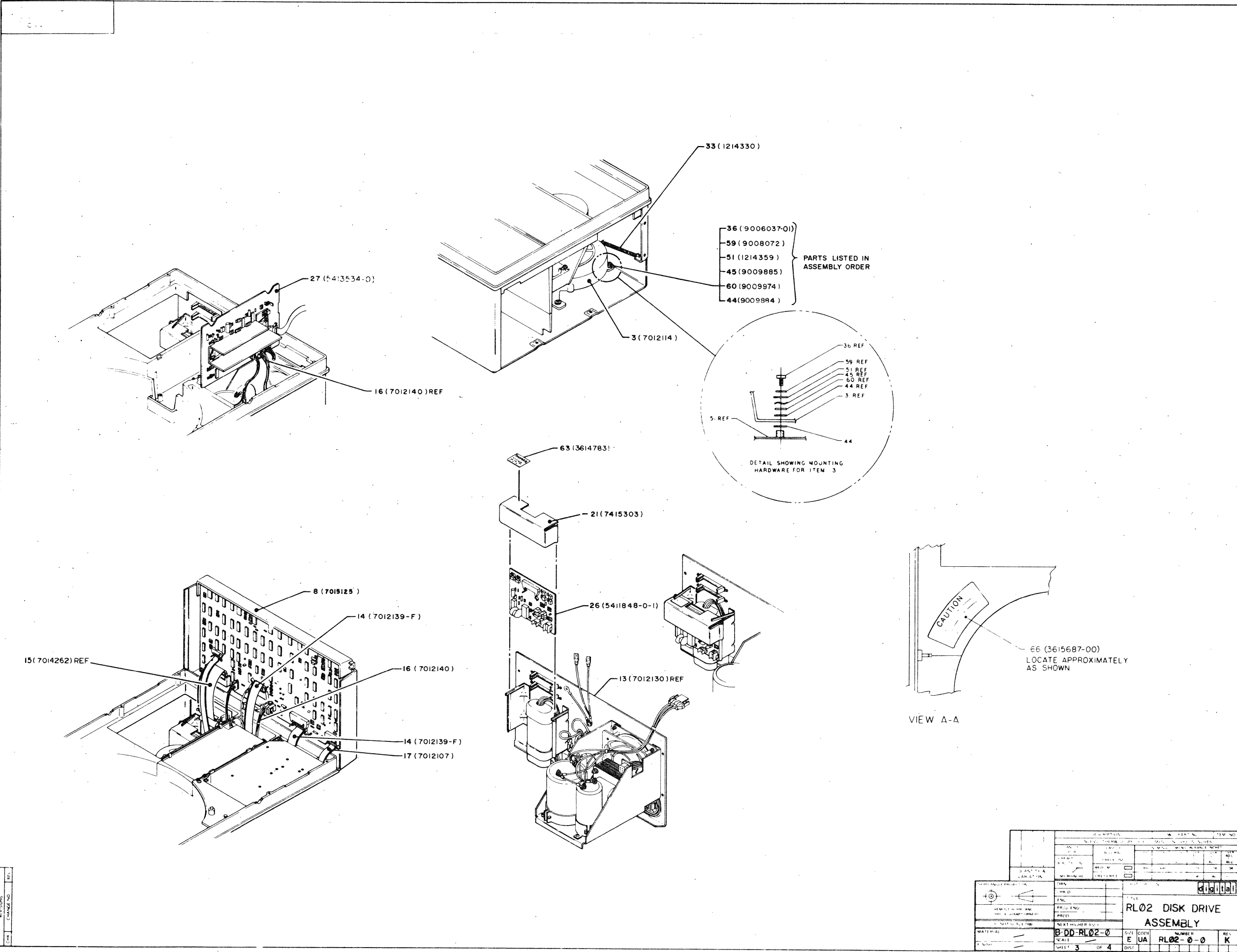
- NOTES**
1. LOWER HEAD (ITEM 65) SHALL BE POSITIONED REARWARDS AGAINST PIN IN CARRIAGE
  2. ALL SCREWS TO BE TIGHTENED AS FOLLOWS:  
 4-40 SCREW, TORQUE 3.5 ± 0.5 IN LBS  
 6-32 " " " 5.0 ± 1.0 " "  
 8-32 " " " 10.0 ± 1.0 " "  
 10-32 " " " 18.0 ± 2.0 " "
  3. DRIVE BELT TENSION 10.0 ± 1.0 LBS.
  4. 4-40 HEAD MOUNTING BOLTS TO BE TIGHTENED TO 5 ± 0.5 IN. LBS.
  5. TORQUE 8-32 SELF TAPPING HARDWARE (ITEM 69) TO 16-18 IN LBS.
  6. BLOWER HOUSING SECURING HARDWARE TO BE REMOVED BEFORE OPERATING UNIT.

| REV | DESCRIPTION            | DATE | BY |
|-----|------------------------|------|----|
| 1   | RELEASED TO PRODUCTION |      |    |
| 2   | REVISION               |      |    |
| 3   | REVISION               |      |    |
| 4   | REVISION               |      |    |
| 5   | REVISION               |      |    |
| 6   | REVISION               |      |    |
| 7   | REVISION               |      |    |
| 8   | REVISION               |      |    |
| 9   | REVISION               |      |    |
| 10  | REVISION               |      |    |
| 11  | REVISION               |      |    |
| 12  | REVISION               |      |    |
| 13  | REVISION               |      |    |
| 14  | REVISION               |      |    |
| 15  | REVISION               |      |    |
| 16  | REVISION               |      |    |
| 17  | REVISION               |      |    |
| 18  | REVISION               |      |    |
| 19  | REVISION               |      |    |
| 20  | REVISION               |      |    |

**CAUTION**  
 OFF-SHEET PARTS LIST EXISTS.  
 SEE K-PL-RL02-0-DBP (Z0485).

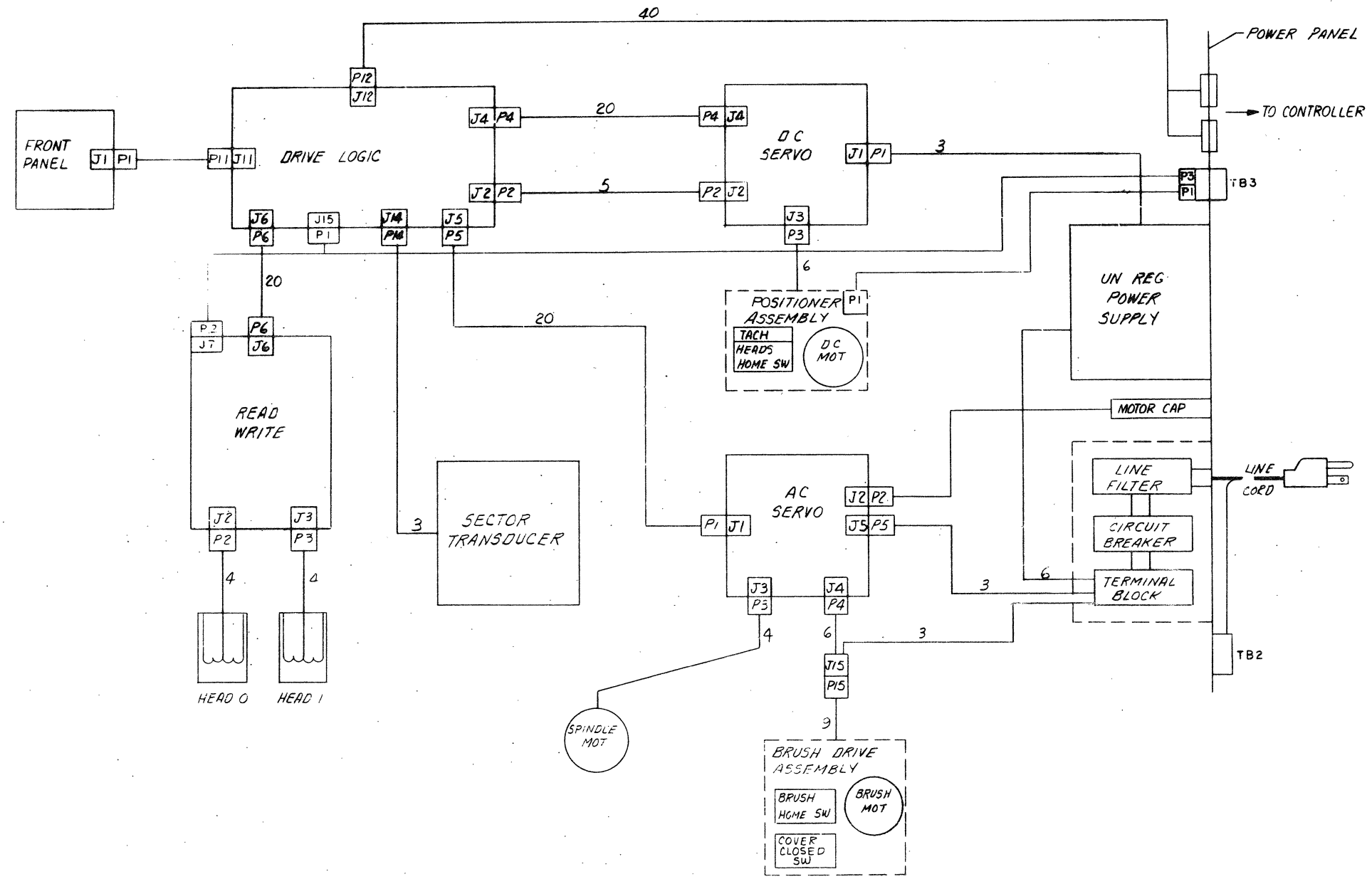
| THIRD ANGLE PROJECTION                              |             | DESCRIPTION                    |       | DRG PART NO | ITEM NO |
|---|-------------|--------------------------------|-------|-------------|---------|
| UNLESS OTHERWISE SPECIFIED DIMENSIONS ARE IN INCHES |             |                                |       |             |         |
| ANGLES  | CLASS OF    | NOMINAL DIMENSION RANGE INCHES |       |             |         |
| 10 30   | ACCURACY    | 0.005                          | 0.010 | 0.015       | 0.020   |
| SURFACE   | CHECK ONE   | 0.005                          | 0.010 | 0.015       | 0.020   |
| QUALITY IN  | MEDIUM      | 0.005                          | 0.010 | 0.015       | 0.020   |
| QUANTITY & VARIATION                                | MICROINCHES | 0.005                          | 0.010 | 0.015       | 0.020   |
|   | PREFERRED   | 0.005                          | 0.010 | 0.015       | 0.020   |
| FIRST USED ON                                       |             | RL02                           |       |             |         |
| TITLE   |             | RL02 DISK DRIVE ASSEMBLY       |       |             |         |
| MATERIAL  |             | SEE PARTS LIST                 |       |             |         |
| SCALE   |             | E UA                           |       |             |         |
| FINISH  |             | SEE PARTS LIST                 |       |             |         |
| SHEET   |             | 1 OF 4                         |       |             |         |





|                       |  |                                 |  |
|-----------------------|--|---------------------------------|--|
|                       |  | <b>RL02 DISK DRIVE ASSEMBLY</b> |  |
| MATERIAL: B-DD-RL02-0 |  | SIZE: E                         |  |
| SCALE: 3 OF 4         |  | CORP: UA                        |  |
| PART NUMBER: RL02-0-0 |  | REV: K                          |  |

"THIS DRAWING AND SPECIFICATIONS, HEREIN, ARE THE PROPERTY OF DIGITAL EQUIPMENT CORPORATION AND SHALL NOT BE REPRODUCED OR COPIED OR USED IN WHOLE OR IN PART AS THE BASIS FOR THE MANUFACTURE OR SALE OF ITEMS WITHOUT WRITTEN PERMISSION. COPYRIGHT © 1978, DIGITAL EQUIPMENT CORPORATION"



|            |  |
|------------|--|
| REV        |  |
| CHANGE NO. |  |
| CHK        |  |

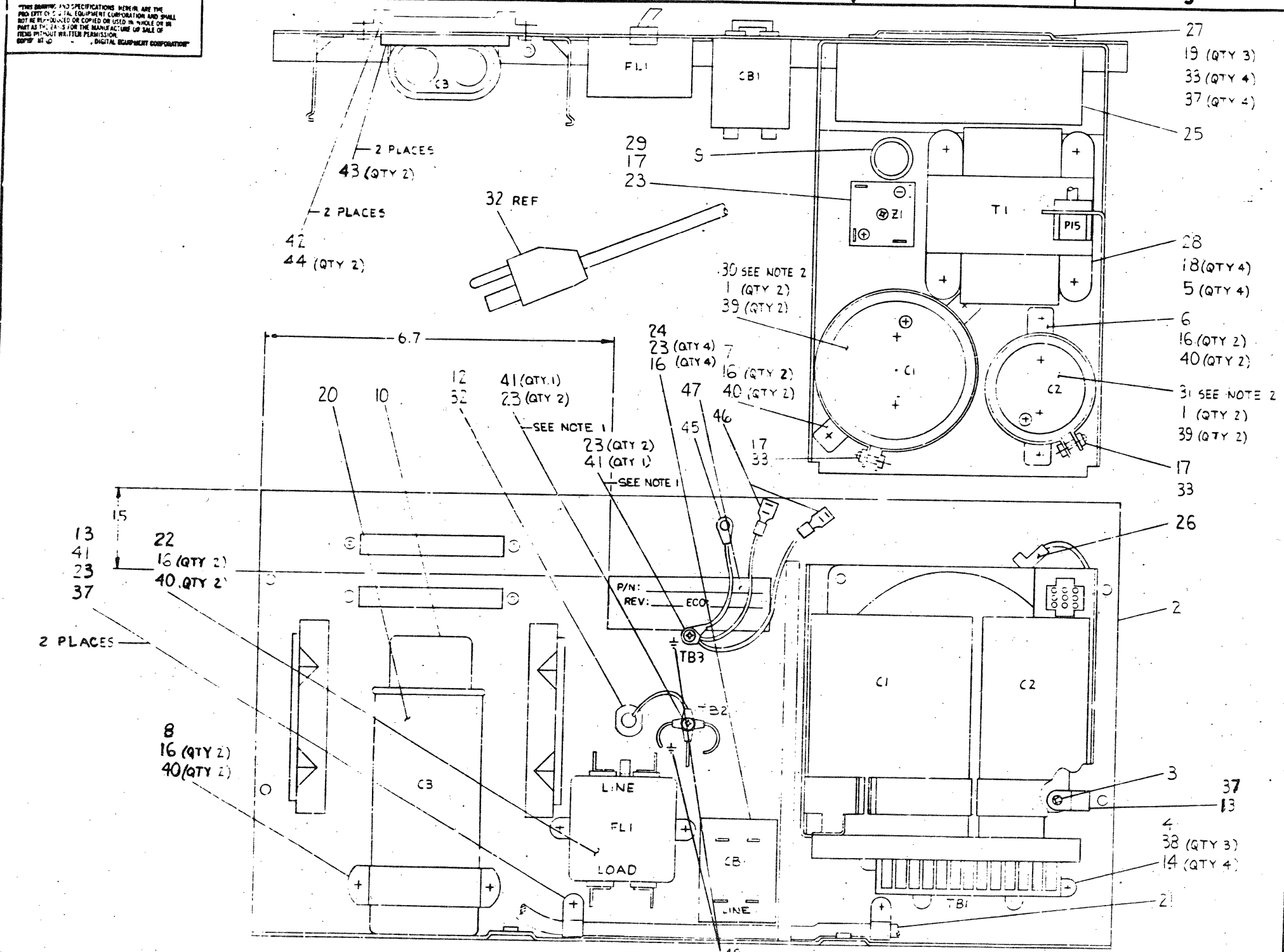
|                                     |   |                                |                 |                     |
|-------------------------------------|---|--------------------------------|-----------------|---------------------|
| QUANTITY & VARIATION                | DESCRIPTION   |                                | DWG./PART NO.   | ITEM NO.            |
|                                     | UNLESS OTHERWISE SPECIFIED DIMENSIONS ARE IN INCHES |                                |                 |                     |
| ANGLES<br>30° 30'                   | CLASS OF ACCURACY<br>(CHECK ONE)                    | NOMINAL DIMENSION RANGE INCHES |                 |                     |
| SURFACE QUALITY<br>IN               | MEDIUM  | OVER 0 TO 0.2                  | OVER 0.2 TO 1.2 | OVER 1.2 TO 4.0     |
| MICROINCHES                         | PREFERRED   | ±.004                          | ±.008           | ±.012               |
|                                     |   | ±.016                          | ±.024           | ±.04                |
| THIRD ANGLE PROJECTION              | DRN. <i>P. N. [Signature]</i>                       | 25 SEP 1978                    | FIRST USED ON   | RL02                |
| REMOVE BURRS AND BREAK SHARPCORNERS | CHK'D W. <i>W. [Signature]</i>                      | 4 MAR 79                       | TITLE           | RL02 SYSTEM CABLING |
| DO NOT SCALE DWG                    | PROJ. ENG.  |                                | SIZE            | D IC                |
| MATERIAL                            | PROB  |                                | NUMBER          | RL02-0-3            |
| FINISH                              | NEXT HIGHER ASSY.                                   |                                | REV.            | C                   |
|                                     | B-DD-RL02-0   |                                | DIST.           |                     |
|                                     | SCALE   |                                | SHEET           | 2 OF 2              |

DIGITAL EQUIPMENT CORPORATION RL02-0-3

THIS DRAWING AND SPECIFICATIONS HEREIN ARE THE PROPERTY OF DIGITAL EQUIPMENT CORPORATION AND SHALL NOT BE REPRODUCED OR COPIED OR USED IN WHOLE OR IN PART AS THE BASIS FOR THE MANUFACTURE OR SALE OF ITEMS WITHOUT WRITTEN PERMISSION.  
 DEPT. 11 100  
 DIGITAL EQUIPMENT CORPORATION

AD7012130-0-0 2

NOTES:  
 1. INT TOOTH LOCK WASHERS (ITEM 23) ARE USED OVER AND UNDER GROUND TERMINALS  
 2. ORIENT TERMINALS AS SHOWN.



CAUTION: OFF SHEET PARTS LIST EXISTS.  
 SEE K-PL-7012130-0-DBP (20849)

| REV. | DESCRIPTION                           | DATE    | BY         | CHK'D | APP'D |
|------|---------------------------------------|---------|------------|-------|-------|
| 1    | REVISED TO SHOW CHANGES TO PARTS LIST | 10/1/77 | K. GUENZEL |       |       |
| 2    | REVISED TO SHOW CHANGES TO PARTS LIST | 10/1/77 | K. GUENZEL |       |       |
| 3    | REVISED TO SHOW CHANGES TO PARTS LIST | 10/1/77 | K. GUENZEL |       |       |
| 4    | REVISED TO SHOW CHANGES TO PARTS LIST | 10/1/77 | K. GUENZEL |       |       |
| 5    | REVISED TO SHOW CHANGES TO PARTS LIST | 10/1/77 | K. GUENZEL |       |       |
| 6    | REVISED TO SHOW CHANGES TO PARTS LIST | 10/1/77 | K. GUENZEL |       |       |
| 7    | REVISED TO SHOW CHANGES TO PARTS LIST | 10/1/77 | K. GUENZEL |       |       |
| 8    | REVISED TO SHOW CHANGES TO PARTS LIST | 10/1/77 | K. GUENZEL |       |       |

|   |  |                      |  |                                |  |                   |  |                   |  |
|---|--|----------------------|--|--------------------------------|--|-------------------|--|-------------------|--|
| THIRD ANGLE PROJECTION                              |  | QUANTITY & VARIATION |  | DESCRIPTION                    |  | DWG./PART NO.     |  | ITEM NO.          |  |
| UNLESS OTHERWISE SPECIFIED DIMENSIONS ARE IN INCHES |  |                      |  |                                |  |                   |  |                   |  |
| ANGLES  |  | CLASS OF ACCURACY    |  | NOMINAL DIMENSION RANGE INCHES |  |                   |  |                   |  |
| 30° 20'   |  | MEDIUM               |  | OVER 0 TO 0.25                 |  | OVER 0.25 TO 0.50 |  | OVER 0.50 TO 1.00 |  |
| SURFACE QUALITY                                     |  | PREFERRED            |  | ± 0.012                        |  | ± 0.016           |  | ± 0.025           |  |
| IN  |  | MICROINCHES          |  | ± 0.004                        |  | ± 0.008           |  | ± 0.012           |  |
| DO NOT SCALE DWG                                    |  | NEXT HIGHER ASSY.    |  | DRN.                           |  | CHK'D             |  | ENG.              |  |
| REMOVE BURRS AND BREAK SHARP CORNERS                |  | DO NOT SCALE DWG     |  | PROJ. ENG.                     |  | PROD. ENG.        |  | TITLE             |  |
| SEE PARTS LIST                                      |  | SCALE                |  | SIZE                           |  | CODE              |  | NUMBER            |  |
| FINISH  |  | SHEET                |  | 1 OF 3                         |  | DIST.             |  | REV.              |  |
|   |  |                      |  |                                |  | D                 |  | AD7012130-0-0     |  |
|   |  |                      |  |                                |  |                   |  | 2                 |  |
|   |  |                      |  |                                |  |                   |  | 1                 |  |

7-AD-7012130-0-0 SHT 1

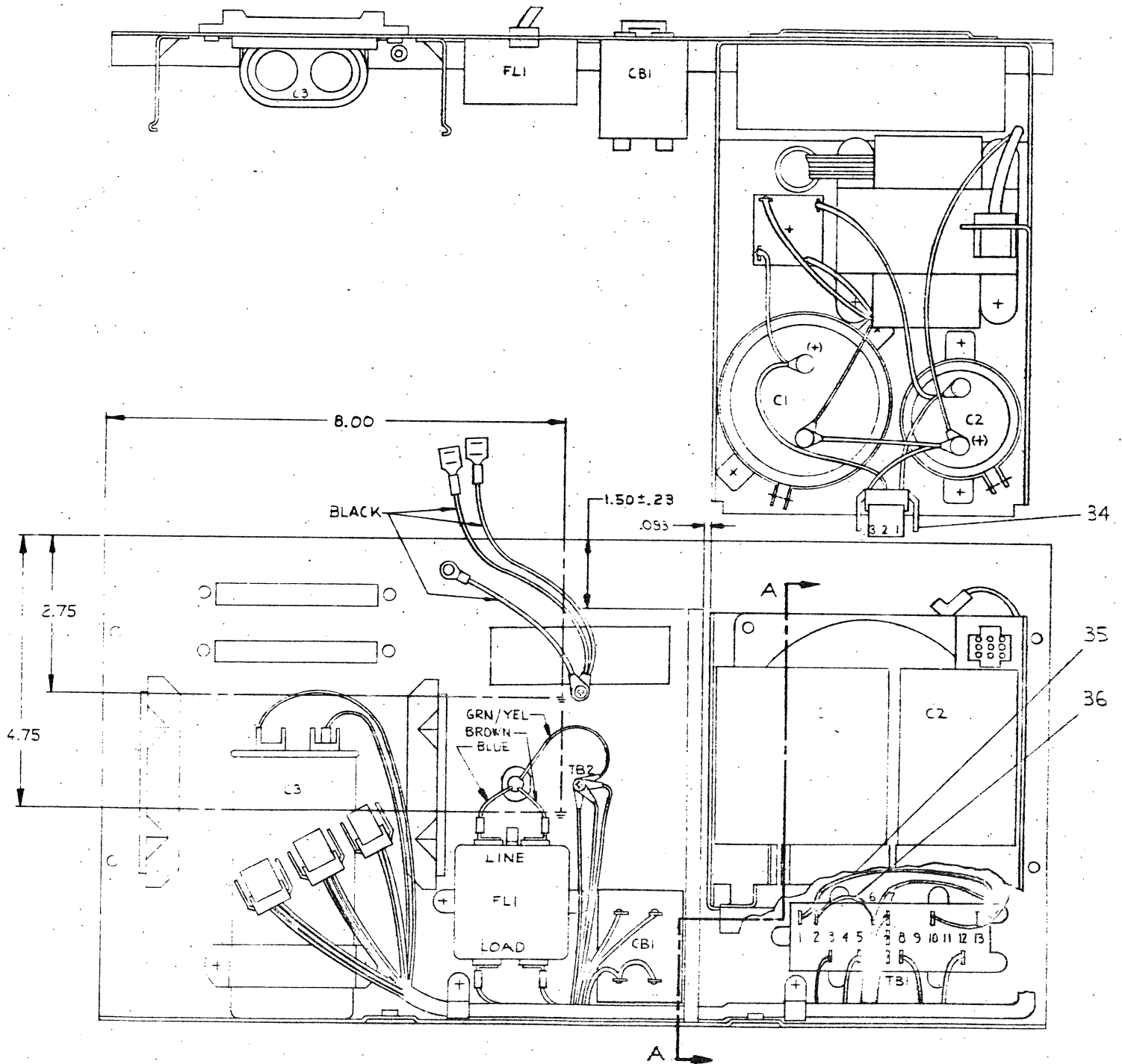
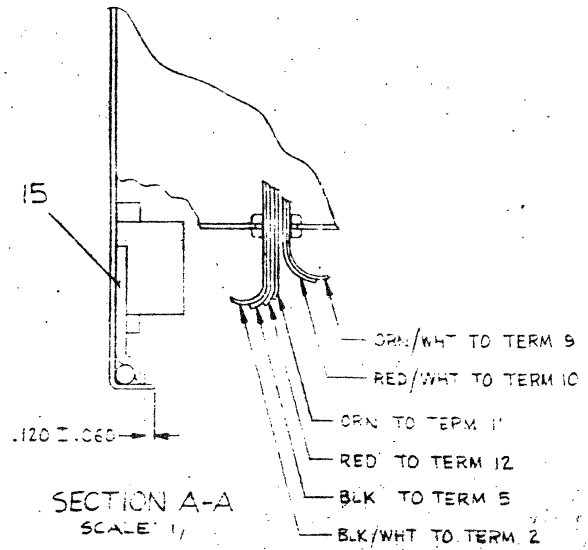


THIS DRAWING AND SPECIFICATIONS HEREAFTER ARE THE PROPERTY OF DIGITAL EQUIPMENT CORPORATION AND SHALL NOT BE REPRODUCED OR TRANSMITTED IN ANY FORM OR BY ANY MEANS, ELECTRONIC OR MECHANICAL, INCLUDING PHOTOCOPYING, RECORDING, OR BY ANY INFORMATION STORAGE AND RETRIEVAL SYSTEM. WITHOUT PERMISSION IN WRITING FROM DIGITAL EQUIPMENT CORPORATION.

NOTES:

1. INPUT VOLTAGE 50 OR 60 HZ  
90-110; 105-128 VAC  
180-220; 210-256 VAC
2. OUTPUT VOLTAGE  $\pm 11.5$  VDC MIN AT MIN POINT OF THE RIPPLE. 18 VDC MAX AT HIGH LINE. (MAX OF 25 VDC AT HIGH LINE NO LOAD).
3. OUTPUT CURRENT: POSITIVE OUTPUT  
2.5 AMP CONTINUOUS  
3.5 AMP PULSE \*25 MS\*  
NEGATIVE OUTPUT  
2.5 AMP CONTINUOUS  
3.5 AMP PULSE \*25 MS\*  
PULSE CURRENT ON ALTERNATE OUTPUT AT A 65 MS OUT CYCLE.
4. OUTPUT RIPPLE AT 110 VOLTS
 

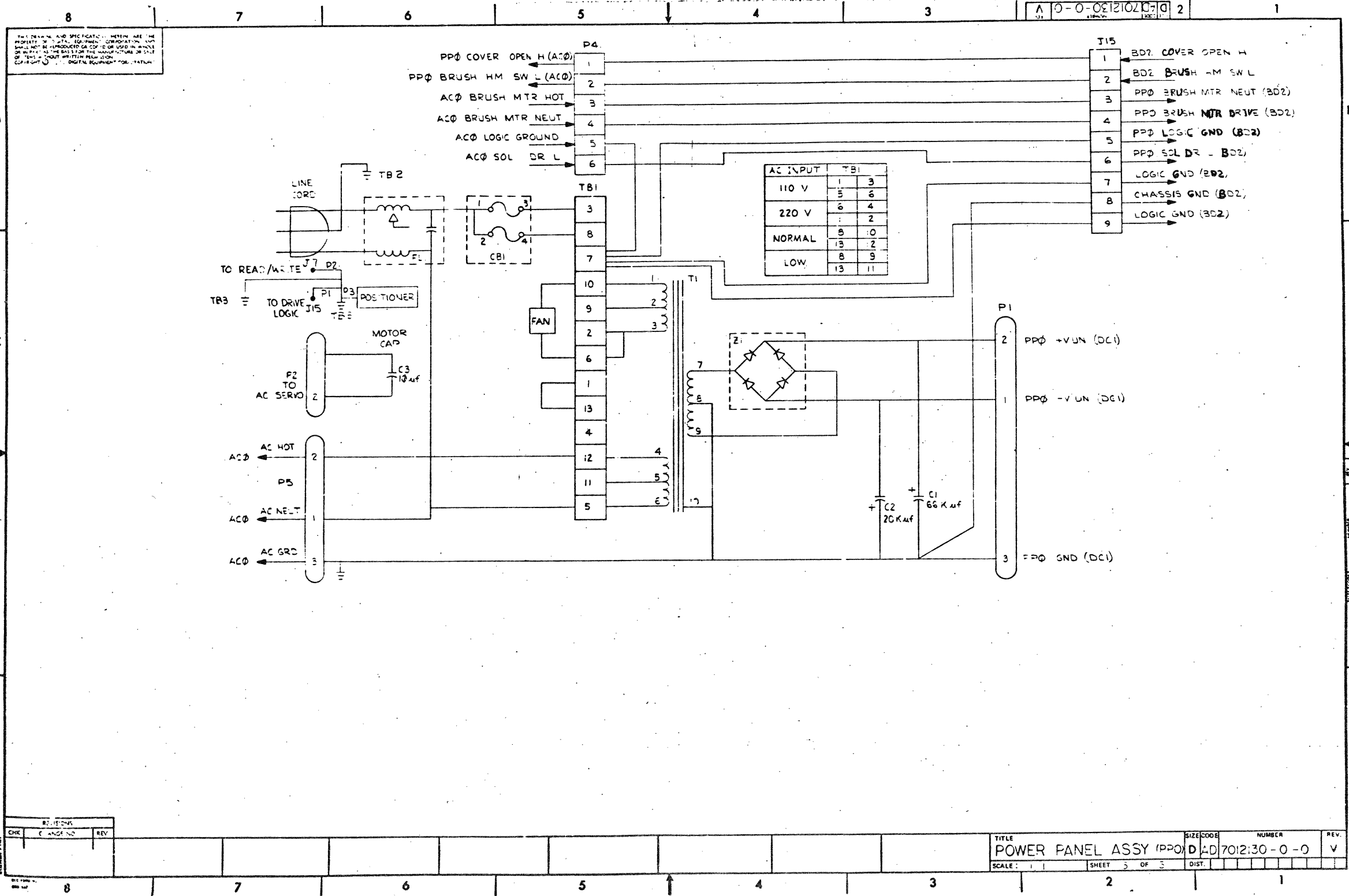
|            |                    |
|------------|--------------------|
| A. NO LOAD | 100 MV P/P         |
| B. +2.5 A  | 600 MV P/P         |
| -2.5 A     | 300 MV P/P         |
| C. +2.5 A  | 600 MV P/P         |
| -3.75 A    | 1.5 V DURING PULSE |
5. HIGH POT TEST PER UL 478  
CONNECT BOTH AC LEADS TO THE POSITIVE TERMINAL OF THE SUPPLY AND GRN WIRE GROUND TO THE NEGATIVE TERMINAL OF THE SUPPLY. CLOSE CIRCUIT BREAKER AND INCREASE VOLTAGE TO 1750 VDC, ANY CURRENT INDICATES FAILURE.



DAD-7012130-0-0 SHT 2

| REVISIONS |            |      |
|-----------|------------|------|
| CHK       | CHANGE NO. | REV. |
|           |            |      |

|                  |              |                |  |      |
|------------------|--------------|----------------|--|------|
| TITLE            |              | DRAWER         |  | REV. |
| POWER PANEL ASSY |              | DAD7012130-0-0 |  | V    |
| SCALE: 1/1       | SHEET 2 OF 3 | DWG.           |  |      |



D-AD-7012130-0-0  
 SHT 3

| CHK | REV | REVISIONS | TITLE                  | SIZE | CODE         | NUMBER | REV. |
|-----|-----|-----------|------------------------|------|--------------|--------|------|
|     |     |           | POWER PANEL ASSY (PP0) | D-AD | 7012130-0-0  | 0-0    | V    |
|     |     |           | SCALE: 1:1             |      | SHEET 5 OF 5 |        |      |



| LINE | ITEM | DOCUMENT NUMBER  | PART NUMBER | DESCRIPTION                  | QTY | PER VARIATION | REFERENCE DESIGNATOR                   |
|------|------|------------------|-------------|------------------------------|-----|---------------|--|
| 1    | 1    | D-MD-5013535-0-0 | E013535-00  | ETCHED CIRCUIT BD            | 1   |               |  |
| 2    | 2    |                  | 1001610-00  | .01 MFD 50V +80-20% Z5U CER  | 17  |               | C9-C12, C21, C23, C26, C29-C37, C42    |
| 3    | 3    |                  | 1005306-00  | 6.8MFD 35V 10% S.TANT        | 4   |               | C20, C22, C25, C28                     |
| 4    | 4    |                  | 1013466-14  | 82.0 MMF 50V 5% CER          | 2   |               | C16, C43                               |
| 5    | 5    |                  | 1013466-06  | 100.0 MMF 50V 5% CER         | 1   |               | C8                                     |
| 6    | 6    |                  | 1013466-05  | 56.0 MMF 50V 5% CER          | 5   |               | C5                                     |
| 7    | 7    |                  | 1013466-07  | 220.0 MMF 50V 5% CER         | 1   |               | C1, C2, C4, C17, C39                   |
| 8    | 8    |                  | 1013466-09  | 1000.0 MMF 50V 10% X7R CER   | 1   |               | C18                                    |
| 9    | 9    |                  | 1013466-11  | .22 MFD 50V +80-20% Z5U CER  | 2   |               | C24, C27                               |
| 10   | 10   |                  | 1013466-15  | 1200.0 MMF 50V 10% CER       | 3   |               | C19, C40, C41                          |
| 11   | 11   |                  | 1109943-00  | 1N 4733A VZ= 5.1 5% 1W Y     | 2   |               | D16, D22                               |
| 12   | 12   |                  | 1113953-00  | 1N 5523D VZ= 5.1 1%          | 1   |               | D1                                     |
| 13   | 13   |                  | 1100122-00  | 1N 748A VZ= 3.9 5%           | 1   |               | D19                                    |
| 14   | 14   |                  | 1111577-00  | 1N 4454 TR= 4NS PIV= 50 S    | 11  |               | D5-D10, D15, D20, D21, D23, D24        |
| 15   | 15   |                  | 1300250-00  | 150.0 .25 W 5.0 % CC         | 1   |               | R5                                     |
| 16   | 16   |                  | 1300229-00  | 100.0 .25 W 5.0 % CC         | 5   |               | R39, R52, R54, R59, R69                |
| 17   | 17   |                  | 1300232-00  | 100.0 1.0 W 5.0 % CC         | 2   |               | R11, R12                               |
| 18   | 18   |                  | 1300247-00  | 120.0 .25 W 5.0 % CC         | 1   |               | R56                                    |
| 19   | 19   |                  | 1300365-00  | 1.0 K .25 W 5.0 % CC         | 8   |               | R13, R14, R35, R36, R48, R49, R66, R70 |
| 20   | 20   |                  | 1300444-00  | 3.90 K .25 W 5.0 % CC        | 3   |               | R46                                    |
| 21   | 21   |                  | 1300447-00  | 4.70 K .25 W 5.0 % CC        | 1   |               | R9, R10, R32                           |
| 22   | 22   |                  | 1301775-00  | 820.0 .25 W 5.0 % CC         | 1   |               | R31                                    |
| 23   | 23   |                  | 1301317-00  | 10.0 .25 W 5.0 % CC          | 1   |               | R63                                    |
| 24   | 24   |                  | 1302612-00  | 1.78 K .25 W 1.0 % RN55D-F10 | 2   |               | R50, R51                               |
| 25   | 25   |                  | 1300195-00  | 33.0 .50 W 5.0 % CC          | 2   |               | R6, R65                                |
| 26   | 26   |                  | 1304725-00  | 300.0 .25 W 1.0 % RN55D-F10  | 1   |               | R62                                    |
| 27   | 27   |                  | 1312930-00  | 5.10 K .25 W 5.0 % CC        | 4   |               | R55, R58                               |
| 28   | 28   |                  | 1301424-00  | 680.0 .25 W 5.0 % CC         | 1   |               | R16, R18, R21, R23                     |
| 29   | 29   |                  | 1302391-00  | 20.0 K .25 W 5.0 % CC        | 1   |               | R60                                    |
| 30   | 30   |                  | 1300426-00  | 2.70 K .25 W 5.0 % CC        | 1   |               | R33                                    |

|                  |                  |                        |                         |   |                                  |                       |                    |
|------------------|------------------|------------------------|-------------------------|---|----------------------------------|-----------------------|--------------------|
| REVISION HISTORY |                  | BASIC PART NO: 5413535 |                         | DRN: JERRY BEST   | DATE: 14-AUG-78                  | D I G I T A L         |                    |
| ENG:             | ECO NUMBER       | REV                    | SECTION A OF A          | CHK'D: L. ROOHR   | DATE: 14-AUG-79                  | TITLE PARTS LIST      |                    |
|                  | INIT             | A                      | SECTION VARIATION INDEX | DES. ENG: B. NOGUCHI  | DATE: 14-AUG-78                  | READ/WRITE BOARD      |                    |
|                  | MZ 5413536-CX001 | B                      | (A) 00                  | RESP. ENG.: B. NOGUCHI  | DATE: 14-AUG-78                  | DOCUMENT NUMBER       |                    |
|                  |                  |                        | (B)                     | MFG. ENG.: P. CHURCH  | DATE: 14-AUG-78                  | SIZE: K               | PL 5413536-0-DBP B |
|                  |                  |                        | (C)                     | ASSEMBLY NUMBER: D-UA-5413536-0-0   | TOP DOCUMENT NUMBER: B-DD-RL02-0 | FILE NAME: Z1091B.PLS | EDIT # 8           |
|                  |                  |                        | (D)                     | THIS DRAWING AND SPECIFICATIONS HEREIN, ARE THE PROPERTY OF DIGITAL EQUIPMENT CORPORATION AND SHALL NOT BE REPRODUCED OR COPIED OR USED IN WHOLE OR IN PART AS THE BASIS FOR THE MANUFACTURE OR SALE OF ITEMS WITHOUT WRITTEN PERMISSION. |                                  |                       |                    |
|                  |                  |                        | (E)                     | COPYRIGHT (C) 1981. DIGITAL EQUIPMENT CORPORATION   |                                  |                       |                    |
|                  |                  |                        | (F)                     |   |                                  |                       |                    |
|                  |                  |                        | (G)                     |   |                                  |                       |                    |
|                  |                  |                        | (H)                     |   |                                  |                       |                    |
|                  |                  |                        | (I)                     |   |                                  |                       |                    |
|                  |                  |                        | (J)                     |   |                                  |                       |                    |
|                  |                  |                        | (K)                     |   |                                  |                       |                    |
|                  |                  |                        | (L)                     |   |                                  |                       |                    |
|                  |                  |                        | (M)                     |   |                                  |                       |                    |
|                  |                  |                        | (N)                     |   |                                  |                       |                    |

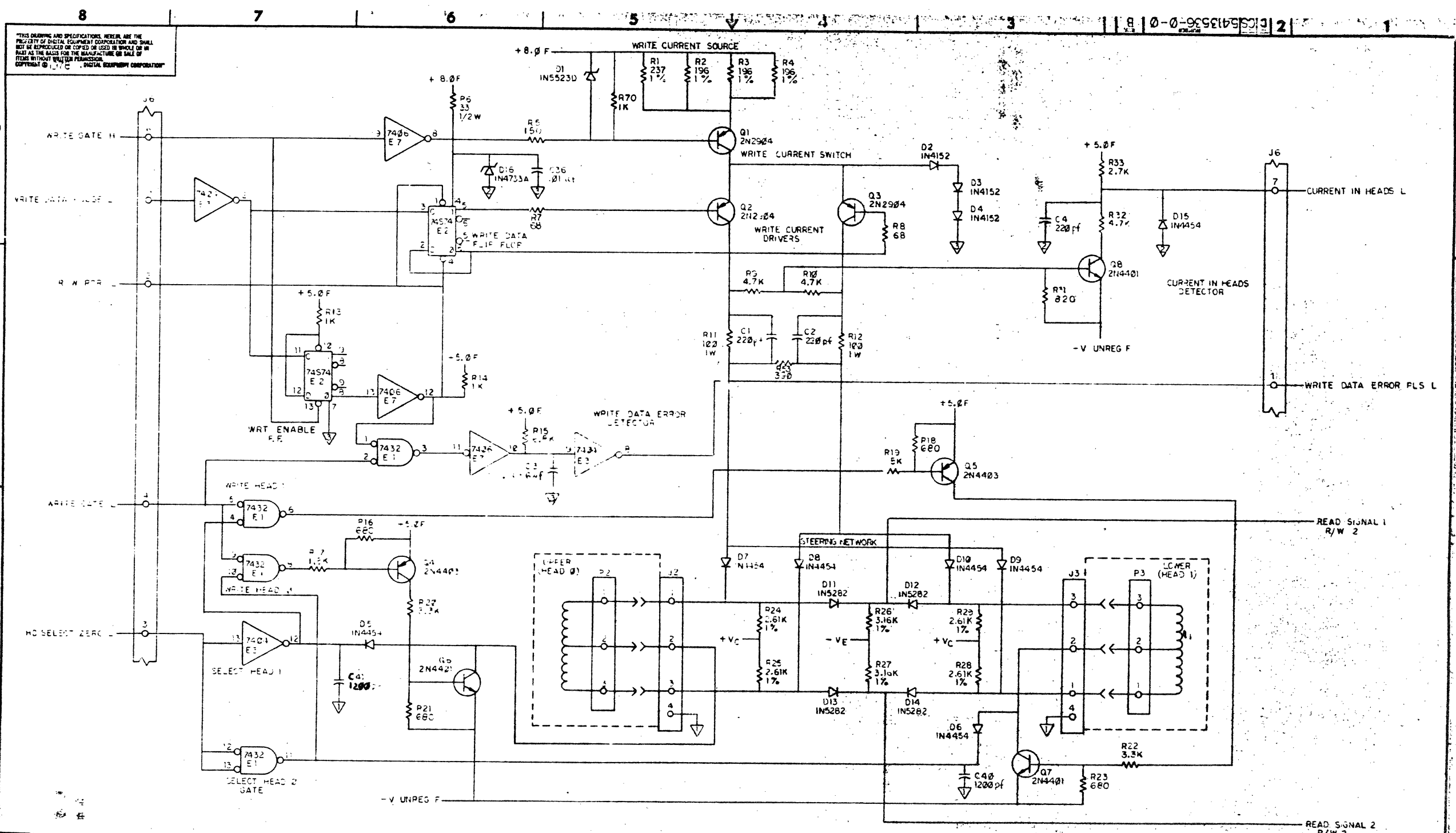
AUTOMATED BY PRTLST.2E(3)

PARTS LIST

SHEET A2 OF A2

| LINE | ITEM | DOCUMENT NUMBER | PART NUMBER | DESCRIPTION                          | QTY PER VARIATION | REFERENCE DESIGNATOR |
|------|------|-----------------|-------------|--------------------------------------|-------------------|----------------------|
|      |      |                 |             |                                      | 00                |                      |
| 31   | 31   |                 | 1302956-00  | 196.0 .25 W 1.0 % RN55D-F10          | 3                 | R2, R3, R4           |
| 32   | 32   |                 | 1300439-00  | 3.30 K .25 W 5.0 % CC                | 2                 | R20, R22             |
| 33   | 33   |                 | 1305143-00  | 825.0 .25 W 1.0 % RN55D-F10          | 4                 | R44, R45             |
| 34   | 34   |                 | 1303303-00  | 2.61 K .25 W 1.0 % RN55D-F10         | 1                 | R24, R25, R28, R29   |
| 35   | 35   |                 | 1302645-00  | 1.10 K .25 W 1.0 % RN55D-F10         | 1                 | R61                  |
| 36   | 36   |                 | 1301477-00  | 82.0 .25 W 5.0 % CC                  | 1                 | R68                  |
| 37   | 37   |                 | 1301322-00  | 180.0 .25 W 5.0 % CC                 | 1                 | R37, R38             |
| 38   | 38   |                 | 1313469-00  | 240.0 .25 W 5.0 % CC                 | 1                 | R34                  |
| 39   | 39   |                 | 1303045-00  | 3.16 K .25 W 1.0 % RN55D-F10         | 1                 | R26, R27             |
| 40   | 40   |                 | 1501913-00  | 2N 2904A PNP 600MA SI 50 40 Y        | 2                 | Q1-Q3                |
| 41   | 41   |                 | 1513489-00  | 2N 4401 NPN 350MA SI 40 20           | 2                 | Q6-Q8                |
| 42   | 42   |                 | 1513490-00  | 2N 4403 PNP 350MA SI 40 30           | 2                 | Q4, Q5               |
| 43   | 43   |                 | 1210001-00  | HEAT SINK BLACK                      | 3                 |                      |
| 44   | 44   |                 | 9007201-00  | TRANSIPADS #10253                    | 3                 |                      |
| 45   | 45   |                 | 9008268-00  | COMPOUND, THERMAL JOINT              | A/R               | L6                   |
| 46   | 46   |                 | 1611257-01  | CHOKES (CERAMIC BEAD) AXIAL LEAD, ON | 1                 | L2-L5                |
| 47   | 47   |                 | 1613898-01  | 33.0 UH INDUCTOR                     | 1                 | L1                   |
| 48   | 48   |                 | 1613898-02  | 39.0 UH INDUCTOR                     | 1                 | E8                   |
| 49   | 49   |                 | 1910268-00  | DEC 75107B RECEIVER, LINE, DUAL      | 1                 | E3                   |
| 50   | 50   |                 | 1909686-00  | 7404 INVERTER GATE-HEX II            | 1                 | E2                   |
| 51   | 51   |                 | 1910544-00  | 74574 FF-D DUAL EDGE TRIGG           | 1                 | E9, E10              |
| 52   | 52   |                 | 1910644-00  | 733 DIFFERENTIAL AMP, WID            | 2                 | E7                   |
| 53   | 53   |                 | 1910741-00  | 7406 INVERTER GATE-HEX II            | 1                 | E1                   |
| 54   | 54   |                 | 1911521-00  | 7432 OR GATE-QUAD 2IN, PO            | 1                 | E5, E4               |
| 55   | 55   |                 | 1910268-01  | DEC 75107B-01 RECEIVER, LINE, DUAL   | 2                 | E6                   |
| 56   | 56   |                 | 1910725-00  | 75108B RECEIVER, LINE, DUAL,         | 1                 | J6                   |
| 57   | 57   |                 | 1209941-06  | HEADER.100 20POS RT ANGLE            | 1                 |                      |
| 58   | 58   |                 | 1209941-03  | HEADER RT ANGLE LEFT L               | 1                 |                      |
| 59   | 59   |                 | 1209941-04  | HEADER RT ANGLE RIGHT                | 1                 |                      |
| 60   | 60   |                 | 1210385-01  | PIN 1POS WIRE WRAP                   | 8                 | TP1, TP2             |
| 61   | 61   |                 | 9007791-00  | TERM PCB 2POS SOLDER TURRET          | 2                 | R42, R43             |
| 62   | 62   |                 | 1303067-00  | 422.0 .25 W 1.0 % RN55D-F10          | 2                 | R7, R8, R47, R57     |
| 63   | 63   |                 | 1300219-00  | 68.0 .25 W 5.0 % CC                  | 4                 | R15, R64, R67        |
| 64   | 64   |                 | 1301423-00  | 6.80 K .25 W 5.0 % CC                | 3                 | R17, R19             |
| 65   | 65   |                 | 1300391-00  | 1.50 K .25 W 5.0 % CC                | 2                 | D2-D4                |
| 66   | 66   |                 | 1114117-00  | IN 4152 PIV=40 1=75                  | 4                 | D11-D14              |
| 67   | 67   |                 | 1113003-00  | IN 5282 PIV=55 1=50CM D035           | 5                 | C3, C6, C7, C13, C14 |
| 68   | 68   |                 | 1015573-01  | 5600.0 MMF 50V 5% CER                | 1                 | R1                   |
| 69   | 69   |                 | 1304857-00  | 237.0 .25 W 1.0 % RN55D-F10          | 1                 | R53                  |
| 70   | 70   |                 | 1300309-00  | 390.0 .25 W 5.0 % CC                 | 1                 | C15, C44             |
| 71   | 71   |                 | 1013466-17  | 150.0 MMF 50V 5% CER                 | 2                 | R40, R41             |
| 72   | 72   |                 | 1309150-07  | 2.0 K .50 W10.0 % POT                | 2                 | W1, W2               |
| 73   | 73   |                 | 9009185-00  | JUMPER, WIRE INSULATED, BLACK B      | 2                 | J7                   |
| 74   | 74   |                 | 1217377-00  | TERM QUICK 1POS TAB PC MNT           | 1                 |                      |

|               |                           |                |         |          |                                |        |
|---------------|---------------------------|----------------|---------|----------|--------------------------------|--------|
| D I G I T A L | TITLE<br>READ/WRITE BOARD | SECTION A OF A | SIZE: K | CODE: PL | DOCUMENT NUMBER: 5413536-0-DBP | REV: B |
|---------------|---------------------------|----------------|---------|----------|--------------------------------|--------|



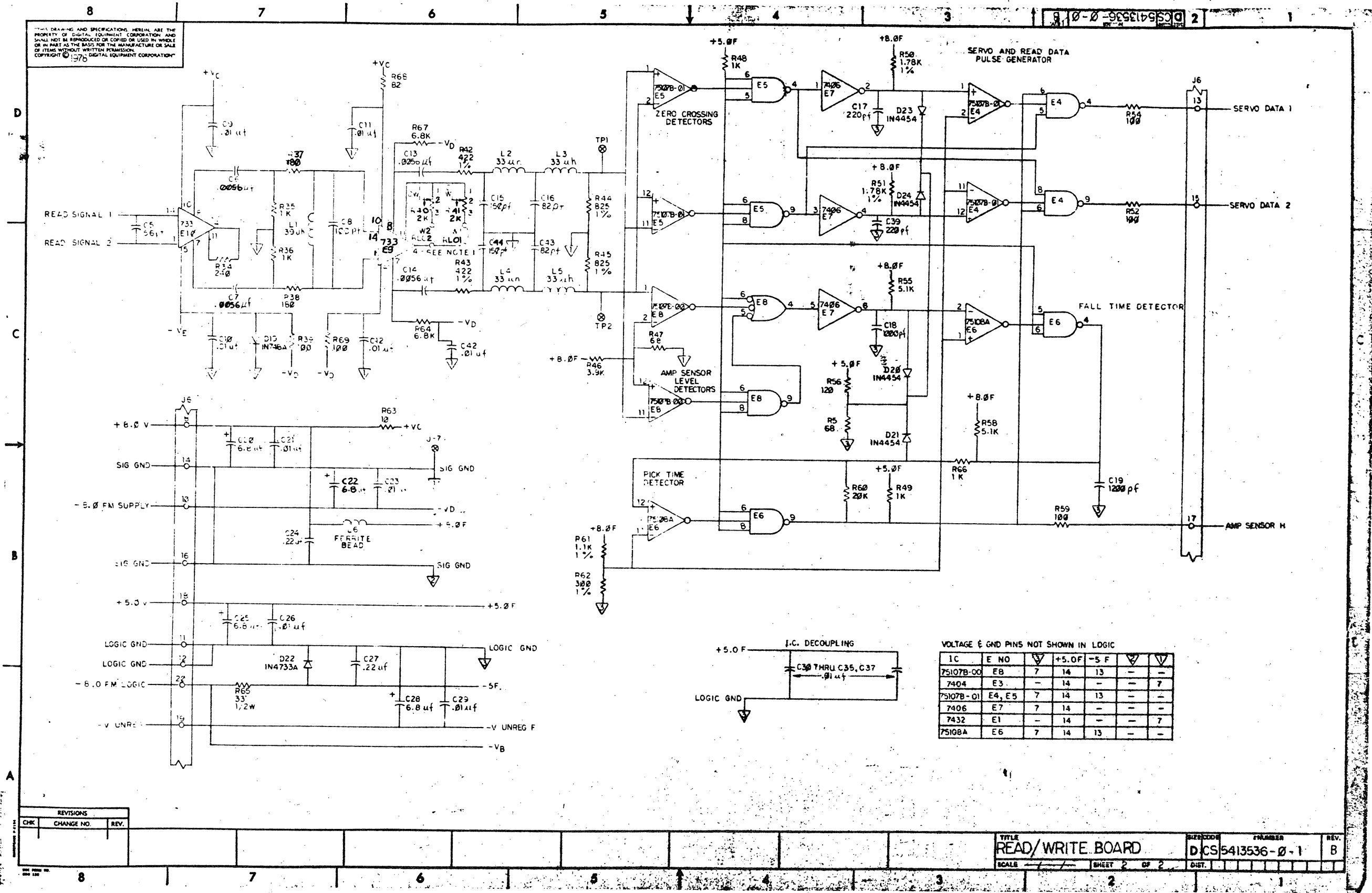
"THIS DRAWING AND SPECIFICATIONS, HEREIN, ARE THE PROPERTY OF DIGITAL EQUIPMENT CORPORATION AND SHALL NOT BE REPRODUCED OR COPIED OR USED IN WHOLE OR IN PART AS THE BASIS FOR THE MANUFACTURE OR SALE OF ITEMS WITHOUT WRITTEN PERMISSION. COPYRIGHT © 1970 DIGITAL EQUIPMENT CORPORATION"

NOTE:  
1. FOR RLO1 CUT W2 AND LEAVE IN W1.  
FOR RLO2 CUT W1 AND LEAVE IN W2.

|            |              |
|------------|--------------|
| REV.       | B            |
| CHANGE NO. | 5413536-0001 |
| BY         | M. ZARICH    |
| DATE       | 1/16/70      |

|                            |         |            |                  |
|----------------------------|---------|------------|------------------|
| DRN. <i>B. Richards</i>    | 4/1/70  | PT USED ON | RLO2             |
| CHK'D <i>R. Park</i>       | 5/1/70  | TITLE      | READ/WRITE BOARD |
| ENGR. <i>R. Park</i>       | 5/1/70  | SIZE       | CODE             |
| PROJ. ENGR. <i>R. Park</i> | 1/16/70 | NUMBER     | 5413536-0-1      |
| PROD. <i>R. Park</i>       | 7/27/70 | REV.       | B                |
| NEXT HIGHER ASSY.          |         | SCALE      | 1 OF 2           |
| SHEET                      | 1 OF 2  | CLT.       |                  |

THIS DRAWING AND SPECIFICATIONS HEREIN ARE THE PROPERTY OF DIGITAL EQUIPMENT CORPORATION AND SHALL NOT BE REPRODUCED OR COPIED OR USED IN WHOLE OR IN PART AS THE BASIS FOR THE MANUFACTURE OR SALE OF ITEMS WITHOUT WRITTEN PERMISSION. COPYRIGHT © 1970 DIGITAL EQUIPMENT CORPORATION



VOLTAGE E GND PINS NOT SHOWN IN LOGIC

| IC        | E NO   | +5.0V | -5 F |    |   |
|-----------|--------|-------|------|----|---|
| 75107B-00 | E8     | 7     | 14   | 13 | - |
| 7404      | E3     | -     | 14   | -  | 7 |
| 75107B-01 | E4, E5 | 7     | 14   | 13 | - |
| 7406      | E7     | 7     | 14   | -  | - |
| 7432      | E1     | -     | 14   | -  | 7 |
| 75108A    | E6     | 7     | 14   | 13 | - |

REVISIONS

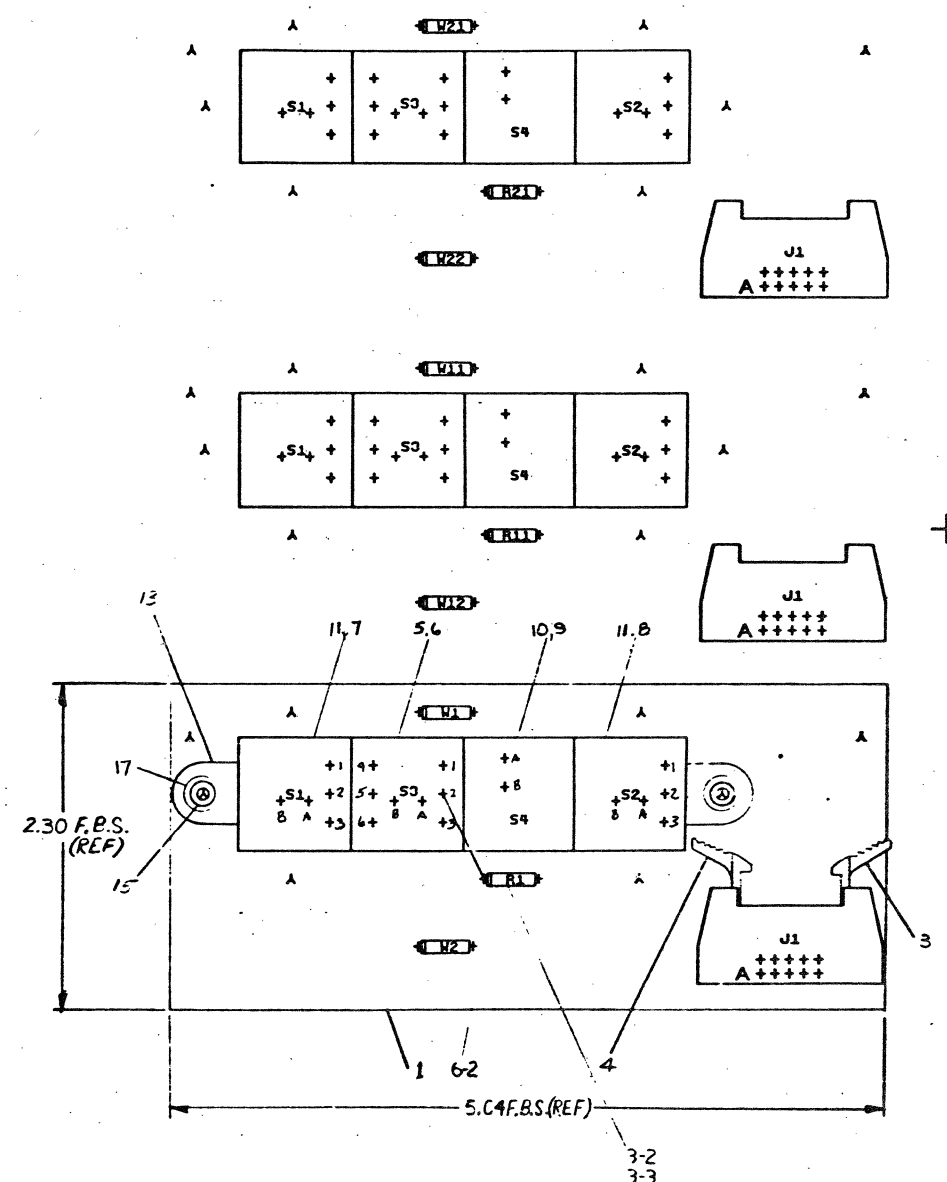
| CHK | CHANGE NO. | REV. |
|-----|------------|------|
|     |            |      |

TITLE: READ/WRITE BOARD  
 SHEET 2 OF 2  
 NUMBER: DCS 5413536-0-1  
 REV: B



THIS DRAWING AND SPECIFICATIONS, HEREIN, ARE THE PROPERTY OF DIGITAL EQUIPMENT CORP. IT IS TO BE USED ONLY FOR THE PURPOSES AND ON THE DATE SPECIFIED IN THE TITLE. NO REPRODUCTION OR DISSEMINATION IS PERMITTED WITHOUT THE WRITTEN PERMISSION OF DIGITAL EQUIPMENT CORPORATION.

COMPONENT SIDE VIEW



NOTES:  
 ALL MANUFACTURING INFORMATION DATA CODE  
 CIRCUIT SCHEDULE REV. QUALITY CONTROL SCHEMS  
 ETC. ARE TO BE STAMPED ON BOTH SIDE (SIDE 2) OF  
 MODULE.

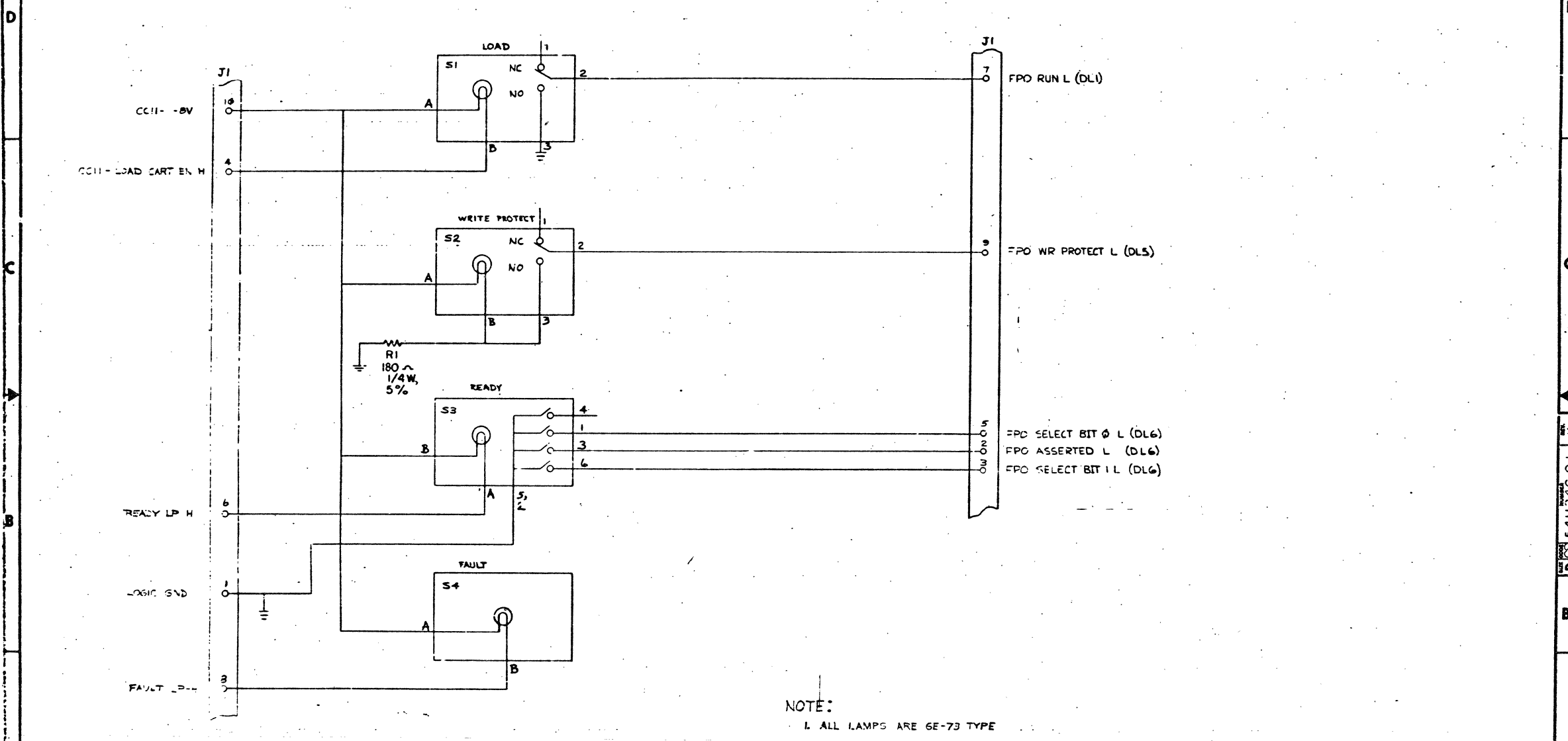
| CHG | NO | REV | DATE | BY | CHK'D | DATE |
|-----|----|-----|------|----|-------|------|
|     |    |     |      |    |       |      |
|     |    |     |      |    |       |      |
|     |    |     |      |    |       |      |
|     |    |     |      |    |       |      |

| SIGNATURES                       |                    | DATE      | TITLE       |
|----------------------------------|--------------------|-----------|-------------|
| DRN. [Signature]                 | CHK'D. [Signature] | 3/77      |             |
| PROJ. ENG. [Signature]           |                    | 3/77      | EDOUT PANEL |
| SCALE 1/1                        |                    | SIZE CODE | NUMBER      |
| SHIT. OF                         |                    | D. 1      | REV         |
| NEXT HIGHER ASSY. 8-00-5411846-0 |                    |           |             |



THIS DRAWING AND SPECIFICATIONS THEREON ARE THE PROPERTY OF DIGITAL EQUIPMENT CORPORATION AND SHALL NOT BE REPRODUCED OR COPIED IN WHOLE OR IN PART AS THE BASIS FOR THE MANUFACTURE OR SALE OF ITEMS WITHOUT WRITTEN PERMISSION. COPYRIGHT © 1968 DIGITAL EQUIPMENT CORPORATION

40-9831 49 2



NOTE:  
L ALL LAMPS ARE 6E-73 TYPE

| REV. | DATE     | BY        | CHK'D | APP'D |
|------|----------|-----------|-------|-------|
| 1    | 10/15/68 | M. ZARICH |       |       |
| 2    | 10/20/68 | M. ZARICH |       |       |
| 3    | 10/20/68 | M. ZARICH |       |       |
| 4    | 10/20/68 | M. ZARICH |       |       |
| 5    | 10/20/68 | M. ZARICH |       |       |
| 6    | 10/20/68 | M. ZARICH |       |       |
| 7    | 10/20/68 | M. ZARICH |       |       |
| 8    | 10/20/68 | M. ZARICH |       |       |

|                   |            |               |             |
|-------------------|------------|---------------|-------------|
| URN               | 40-9831-49 | FIRST USED ON | digital     |
| CHK'D             |            | TITLE         | FRONT PANEL |
| ENG.              |            | SIZE          | D           |
| PROJ. ENG.        |            | CODE          | 5411846-0-1 |
| PROD.             |            | NUMBER        | 1           |
| NEXT HIGHER ASSY. |            | REV.          | K           |
| SCALE             |            | DIST.         |             |
| SHEET             | 2          | OF            |             |

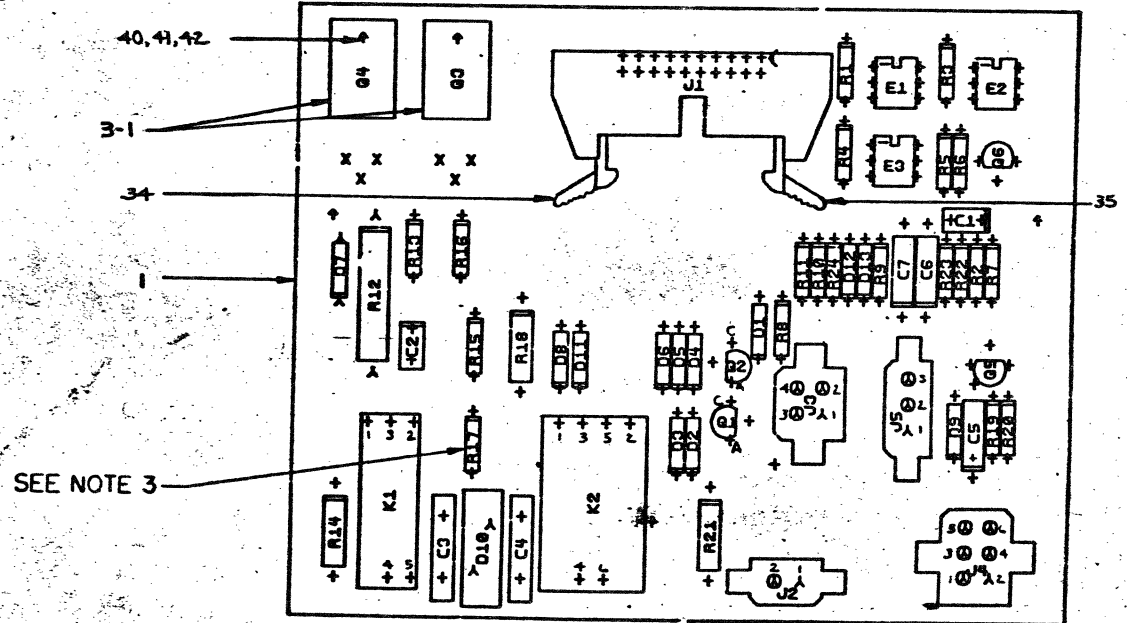
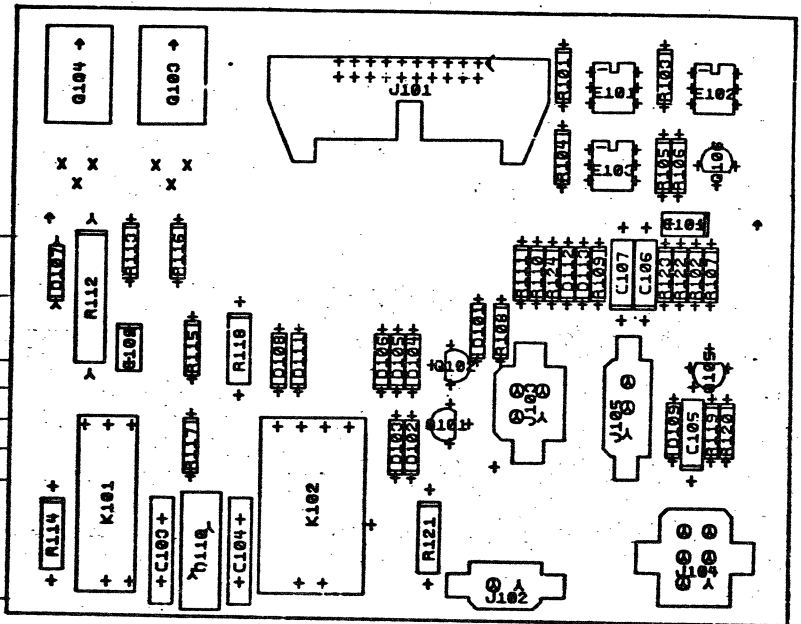
5411846-0-1 K

D-6S-5411846-0-1

THIS SCHEMATIC AND SPECIFICATIONS, HEREIN, ARE THE PROPERTY OF DIGITAL EQUIPMENT CORPORATION AND ARE TO BE KEPT CONFIDENTIAL. NO PART OF THIS SCHEMATIC OR THE INFORMATION CONTAINED HEREIN IS TO BE REPRODUCED OR TRANSMITTED IN ANY FORM OR BY ANY MEANS, ELECTRONIC OR MECHANICAL, INCLUDING PHOTOCOPYING, RECORDING, OR BY ANY INFORMATION STORAGE AND RETRIEVAL SYSTEM, WITHOUT PERMISSION IN WRITING FROM DIGITAL EQUIPMENT CORPORATION.

COMPONENT SIDE VIEW

| ACTUAL REF DESIGNATORS  | SUPERFICIAL REF DESIGNATORS   |
|---|---|
| C1C2,C3,C4,C5,C6,C7   | C101,C102,C103,C104,C105,C106,C107  |
| D1,D2,D3,D4,D5,D6,D7,D8,D9,D10<br>D11,D12,D13   | D101,D102,D103,D104,D105,D106,D107,D108,D109,D110,D111,D112,<br>D113  |
| E1E2,E3   | E101,E102,E103  |
| K1K2,K3   | K101,K102,K103  |
| J1,J2,J3,J4,J5  | J101,J102,J103,J104,J105  |
| Q1Q2,Q3,Q4,Q5,Q6  | Q101,Q102,Q103,Q104,Q105,Q106   |
| R1,R2,R3,R4,R5,R6,R7,R8,R9,R10<br>R11,R12,R13,R14,R15,R16,R17,R18,R19,<br>R20,R21,R22 | R101,R102,R103,R104,R105,R106,R107,R108,R109,R110,R111,R112,<br>R113,R114,R115,R116,R117,R118,R119,R120,R121,R122 |



NOTES:  
 1. 8 HOLES IN THIS (3-000-0005) MAYNARC ONLY.  
 2. W/L APPROVAL REQUIRED  
 3. REWORK INSTRUCTIONS  
 1. REMOVE R17 (330R V4W 5%)  
 2. INSTALL R17 (330R V2W 5%)

| CHANGE NO | REV | DATE | BY | CHK'D | REASON |
|-----------|-----|------|----|-------|--------|
| 1         | 1   |      |    |       |        |
| 2         | 1   |      |    |       |        |
| 3         | 1   |      |    |       |        |
| 4         | 1   |      |    |       |        |
| 5         | 1   |      |    |       |        |
| 6         | 1   |      |    |       |        |
| 7         | 1   |      |    |       |        |
| 8         | 1   |      |    |       |        |
| 9         | 1   |      |    |       |        |
| 10        | 1   |      |    |       |        |

|                            |      |
|----------------------------|------|
| ETCH REV.                  | E-P2 |
| P.C. DESIGN DATA BASE REV. | E-1  |

|                                 |      |         |
|---------------------------------|------|---------|
| SIGNATURES                      | DATE | TITLE   |
| DRN. <i>[Signature]</i>         |      | digital |
| CHK'D.                          |      |         |
| ENG. <i>[Signature]</i>         |      |         |
| PROJ. ENG. <i>[Signature]</i>   |      |         |
| PROD. <i>[Signature]</i>        |      |         |
| SCALE 2/1                       |      |         |
| SHT. 1 OF 4                     |      |         |
| NEXT HIGHER ASSY. B-ED-54118-00 |      |         |

REV F

1 MS#2602-5

D-1A-5411848-0-0 SHT 1

AUTOMATED BY PRTLST.3K(27)

PARTS LIST

SHEET A1 OF A2

| LINE | ITEM | DOCUMENT NUMBER  | PART NUMBER | DESCRIPTION                      | QTY PER VARIATION | REFERENCE DESIGNATOR   |
|------|------|------------------|-------------|----------------------------------|-------------------|------------------------|
| 1    | 1    | D-MD-5011847-0-0 | 5011847-00  | ETCH CRKT BRD                    | 1                 | C1                     |
| 2    | 2    |                  | 1011683-00  | .022 MFD 50V 10% CER             | 1                 | C2                     |
| 3    | 3    |                  | 1012312-01  | .47 MFD 50V +80-20% CER          | 1                 | C3, C4                 |
| 4    | 4    |                  | 1012682-00  | .1 MFD 500V +80-20% 25U DISC     | 2                 | C5, C7                 |
| 5    | 5    |                  | 1031776-00  | 1 MFD 35V 10% S. TANT            | 1                 | D1                     |
| 6    | 6    |                  | 1110856-00  | IN 9703 VZ= 24.0 5% .40W Y       | 10                | D2-D6, D8, D9, D11-D13 |
| 7    | 7    |                  | 1111577-00  | IN 4454 TR= 4NS PIV= 50 S        | 1                 | D7                     |
| 8    | 8    |                  | 1105796-00  | IN 4004 PIV=400 I= 1A 0041 SP    | 3                 | E1-E3                  |
| 9    | 9    |                  | 1513727-01  | OPTO COUPLED ISOLATOR            | 1                 | K2                     |
| 10   | 10   |                  | 1213917-00  | RLY. REED 5V COIL, DPDT          | 1                 | K1                     |
| 11   | 11   |                  | 1213915-00  | RLY. REED 5V COIL, SPDT          | 1                 | D10                    |
| 12   | 12   |                  | 1110997-00  | VP 130A10 VOLT. SUPPRESS. 130VAC | 1                 | J1                     |
| 13   | 13   |                  | 1209941-06  | HEADER. 100 20POS RT ANGLE       | 1                 | J2                     |
| 14   | 14   |                  | 1213922-0C  | HEADER 2POS                      | 1                 | J5                     |
| 15   | 15   |                  | 1213922-01  | HEADER 3POS                      | 1                 | J3                     |
| 16   | 16   |                  | 1213922-03  | HEADER 4POS                      | 1                 | J4                     |
| 17   | 17   |                  | 1213922-04  | HEADER 6POS                      | 1                 | R14, R21               |
| 18   | 18   |                  | 1300315-00  | 470.0 .50 W 5.0 % CC             | 3                 | R1, R3, R4             |
| 19   | 19   |                  | 1300271-00  | 220.0 .25 W 5.0 % CC             | 1                 | R18                    |
| 20   | 20   |                  | 1311220-00  | 5.10 .50 W 5.0 % CC              | 1                 | R6                     |
| 21   | 21   |                  | 1301327-00  | 68.0 K .25 W 5.0 % CC            | 2                 | R5, R8                 |
| 22   | 22   |                  | 1302466-00  | 100.0 K .25 W 5.0 % CC           | 1                 | R20                    |
| 23   | 23   |                  | 1300444-00  | 3.90 K .25 W 5.0 % CC            | 2                 | R7, R23                |
| 24   | 24   |                  | 1314516-00  | 200.0 K .25 W 5.0 % CC           | 2                 | R10                    |
| 25   | 25   |                  | 1300496-00  | 15.0 K .25 W 5.0 % CC            | 2                 | R11, R24               |
| 26   | 26   |                  | 1300479-00  | 10.0 K .25 W 5.0 % CC            | 1                 | R12                    |
| 27   | 27   |                  | 1300482-00  | 10.0 K 2.0 W 10.0 % CC           | 2                 | R15, R16               |
| 28   | 28   |                  | 1312927-00  | 16.0 .25 W 5.0 % CC              | 1                 | R22                    |
| 29   | 29   |                  | 1314649-00  | 430.0 K .25 W 5.0 % CC           | 1                 | R17                    |
| 30   | 30   |                  | 1300296-00  | 330.0 .50 W 5.0 % CC             | 1                 |                        |

|                  |               |                        |                         |                      |                      |                       |        |
|------------------|---------------|------------------------|-------------------------|----------------------|----------------------|-----------------------|--------|
| REVISION HISTORY |               | BASIC PART NO: 5411848 |                         | DRN: H. RICHER       | DATE: 23 MAR 76      | DIGITAL               |        |
| ENG:             | ECO NUMBER    | REV                    | SECTION A OF A          | CHK'D: P. BURNELL    | DATE: 10 JAN 77      | TITLE PARTS LIST      |        |
| MZ               | 5411848-CZ003 | F                      | SECTION VARIATION INDEX | DES. ENG: P. BADUM   | DATE: 7 JUN 77       | DOCUMENT NUMBER       |        |
|                  |               |                        | (A) 00                  | RESP. ENG.: P. BADUM | DATE: 7 JUN 77       | SIZE: CODE: NUMBER    | REV    |
|                  |               |                        | (B)                     | MFG. ENG.: D. LESAGE | DATE: 7 JUN 77       | K PL 5411848-0-DBP    | F      |
|                  |               |                        | (C)                     | ASSEMBLY NUMBER:     | TOP DOCUMENT NUMBER: | FILE NAME: 20491F.PLS | EDIT # |
|                  |               |                        | (D)                     | D-UA-5411848-0-0     |                      |                       | 3      |
|                  |               |                        | (E)                     |                      |                      |                       |        |
|                  |               |                        | (F)                     |                      |                      |                       |        |
|                  |               |                        | (G)                     |                      |                      |                       |        |
|                  |               |                        | (H)                     |                      |                      |                       |        |
|                  |               |                        | (I)                     |                      |                      |                       |        |
|                  |               |                        | (J)                     |                      |                      |                       |        |
|                  |               |                        | (K)                     |                      |                      |                       |        |
|                  |               |                        | (L)                     |                      |                      |                       |        |
|                  |               |                        | (M)                     |                      |                      |                       |        |
|                  |               |                        | (N)                     |                      |                      |                       |        |

"THIS DRAWING AND SPECIFICATIONS HEREIN, ARE THE PROPERTY OF DIGITAL EQUIPMENT CORPORATION AND SHALL NOT BE REPRODUCED OR COPIED OR USED IN WHOLE OR IN PART AS THE BASIS FOR THE MANUFACTURE OR SALE OF ITEMS WITHOUT WRITTEN PERMISSION. COPYRIGHT (C) 1981. DIGITAL EQUIPMENT CORPORATION"

AUTOMATED BY PRTLST.3K(27)

PARTS LIST

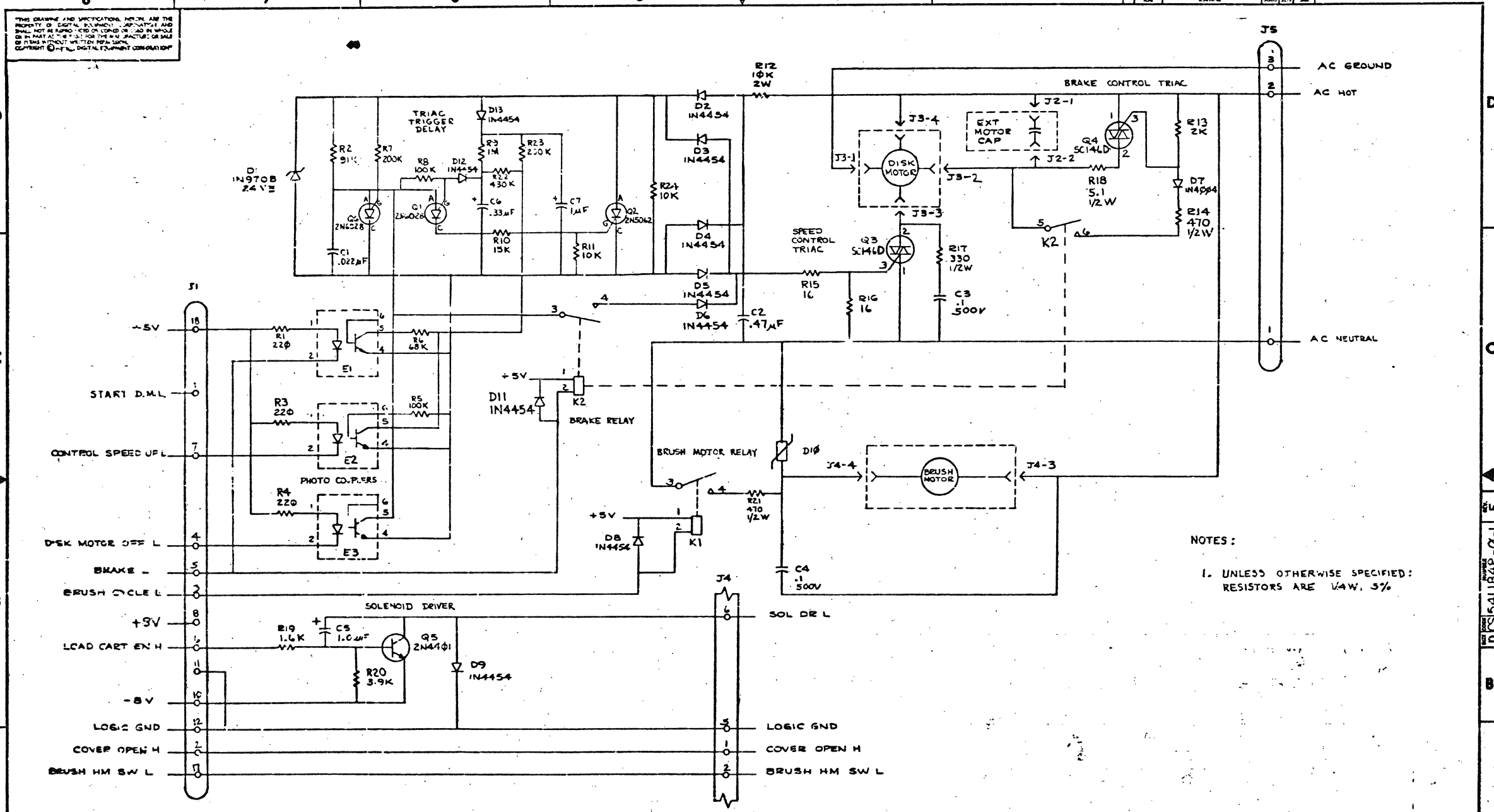
SHEET A2 OF A2

| LINE | ITEM | DOCUMENT NUMBER | PART NUMBER | DESCRIPTION                    | QTY | PER VARIATION | REFERENCE DESIGNATOR |
|------|------|-----------------|-------------|--------------------------------|-----|---------------|----------------------|
|      |      |                 |             |                                | 00  |               |                      |
| 31   | 31   |                 | 1302388-00  | 2.0 K .25 W 5.0 % CC           | 1   |               | R13                  |
| 32   | 32   |                 | 1309595-00  | 1.0 M .25 W 5.0 % CC           | 1   |               | R9                   |
| 33   | 33   |                 | 1303176-00  | 1.60 K .25 W 5.0 % CC          | 1   |               | R19                  |
| 34   | 34   |                 | 1209941-03  | HEADER RT ANGLE LEFT L         | 1   |               | J1                   |
| 35   | 35   |                 | 1209941-04  | HEADER RT ANGLE RIGHT          | 1   |               | J1                   |
| 36   | 36   |                 | 1510877-00  | 2N 6028 UJT 300MW R67B         | 2   |               | Q1, Q6               |
| 37   | 37   |                 | 1110968-00  | 2N 5062 SCR3100V I=.8A T092    | 1   |               | Q2                   |
| 38   | 38   |                 | 1510070-00  | TRIAC3400V I=8A                | 2   |               | Q3, Q4               |
| 39   | 39   |                 | 1513489-00  | 2N 4401 NPN 350MW SI 40 20     | 1   |               | Q5                   |
| 40   | 40   |                 | 9006557-00  | NUT KEP 4-40X 1/4 AF           | 2   |               | Q3, Q4               |
| 41   | 41   |                 | 9006010-01  | SCREW PAN PHIL 4-40X 5/16 SS   | 2   |               | Q3, Q4               |
| 42   | 42   |                 | 9006655-00  | WASHER FLAT .312 O.D. X .125 I | 2   |               | Q3, Q4               |
| 43   | 43   |                 |             | *** THIS ITEM IS NOT USED ***  |     |               |                      |
| 44   | 44   |                 | 1000002-04  | .33 MFD 35V 10% S.TANT         | 1   |               | C6                   |
| 45   | 45   |                 | 1314650-00  | 91.0 K .25 W 5.0 % CC          | 1   |               | R2                   |

|   |   |   |   |   |   |   |       |          |                |      |      |                 |     |
|---|---|---|---|---|---|---|-------|----------|----------------|------|------|-----------------|-----|
| D | I | G | I | T | A | L | TITLE | AC SERVO | SECTION A OF A | SIZE | CODE | DOCUMENT NUMBER | REV |
|   |   |   |   |   |   |   |       |          |                | K    | PL   | 5411848-0-DBP   | F   |

THIS DRAWING AND SPECIFICATIONS HEREON ARE THE PROPERTY OF DIGITAL EQUIPMENT CORPORATION AND SHALL NOT BE REPRODUCED OR TRANSMITTED IN ANY FORM OR BY ANY MEANS, ELECTRONIC OR MECHANICAL, INCLUDING PHOTOCOPYING, RECORDING, OR BY ANY INFORMATION STORAGE AND RETRIEVAL SYSTEM, WITHOUT THE WRITTEN PERMISSION OF DIGITAL EQUIPMENT CORPORATION.

DIGITAL EQUIPMENT CORPORATION  
 5411848-0-1  
 REV. 1/77



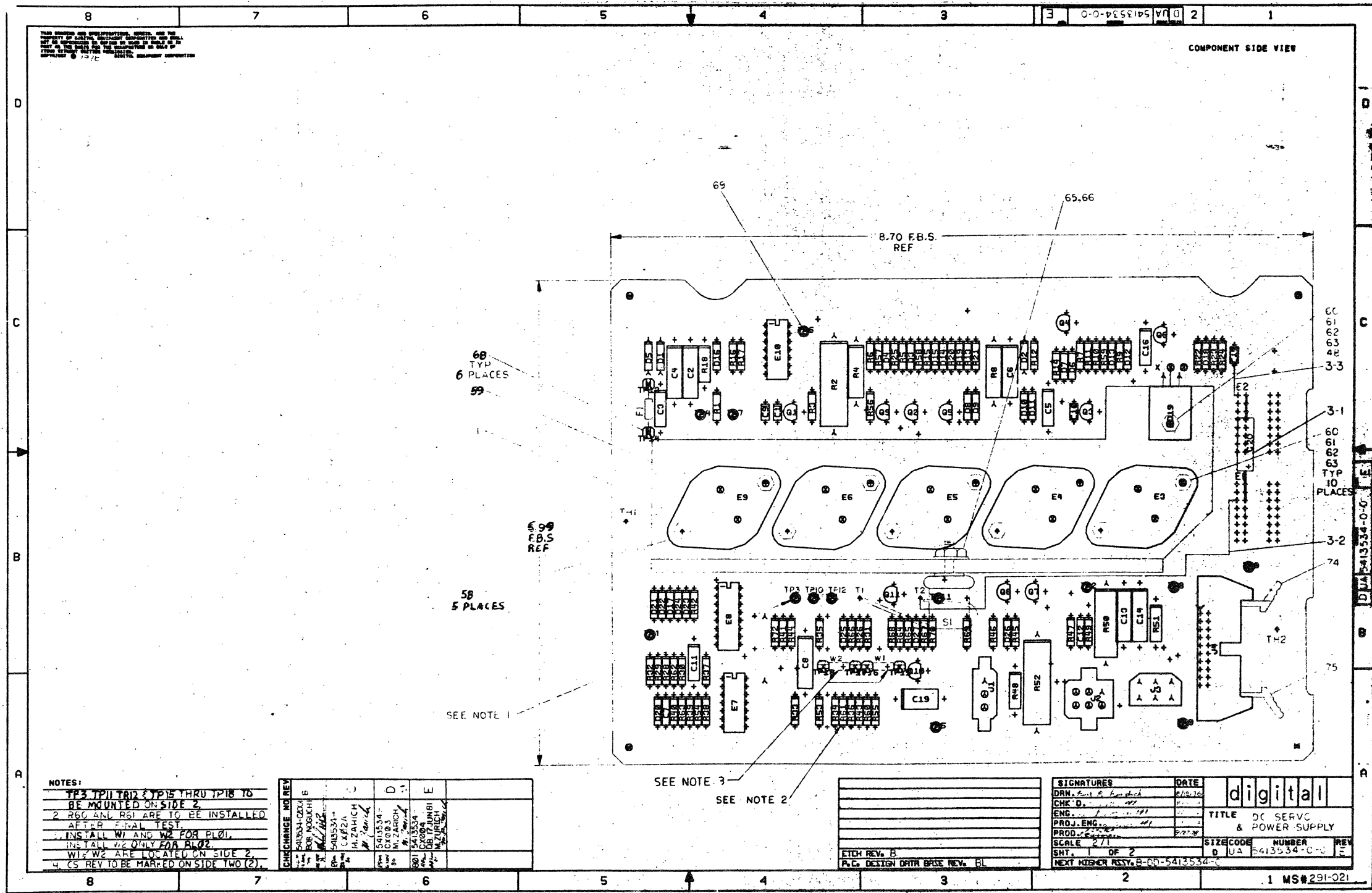
NOTES:  
 1. UNLESS OTHERWISE SPECIFIED:  
 RESISTORS ARE 1/4W, 5%

| REV. | DATE | BY | CHKD. | DESCRIPTION |
|------|------|----|-------|-------------|
| 1    |      |    |       |             |
| 2    |      |    |       |             |
| 3    |      |    |       |             |
| 4    |      |    |       |             |
| 5    |      |    |       |             |
| 6    |      |    |       |             |
| 7    |      |    |       |             |
| 8    |      |    |       |             |

|                        |               |                |
|------------------------|---------------|----------------|
| DRN. [Signature]       | FIRST USED ON | [Signature]    |
| CHKD. [Signature]      | [Signature]   | [Signature]    |
| ENG. [Signature]       | TITLE         | AC SERVO       |
| PROJ. ENG. [Signature] | SIZE          | D              |
| PROD. [Signature]      | CODE          | CS 5411848-0-1 |
| NEXT HIGHER ASSY.      | NUMBER        | F              |
| SCALE                  | DIST.         |                |
| SHEET 1 OF 1           |               |                |

D-CS-5411848-0-1





NOTES:

- TP3 TP10 TP12 & TP15 THRU TP18 TO BE MOUNTED ON SIDE 2.
- R50 AND R61 ARE TO BE INSTALLED AFTER FINAL TEST.
- INSTALL W1 AND W2 FOR PL01.
- INSTALL W2 ONLY FOR PL02.
- W1 & W2 ARE LOCATED ON SIDE 2.
- CS REV TO BE MARKED ON SIDE TWO (2).

| CHANGE NO   | REV | DATE     | BY        | CHK |
|-------------|-----|----------|-----------|-----|
| 5413534-001 | 1   | 10/15/70 | M. ZARICH |     |
| 5413534-002 | 2   | 10/15/70 | M. ZARICH |     |
| 5413534-003 | 3   | 10/15/70 | M. ZARICH |     |
| 5413534-004 | 4   | 10/15/70 | M. ZARICH |     |
| 5413534-005 | 5   | 10/15/70 | M. ZARICH |     |
| 5413534-006 | 6   | 10/15/70 | M. ZARICH |     |
| 5413534-007 | 7   | 10/15/70 | M. ZARICH |     |
| 5413534-008 | 8   | 10/15/70 | M. ZARICH |     |
| 5413534-009 | 9   | 10/15/70 | M. ZARICH |     |
| 5413534-010 | 10  | 10/15/70 | M. ZARICH |     |

| SIGNATURES                     |        | DATE     |
|--------------------------------|--------|----------|
| DRN                            |        | 10/15/70 |
| CHK                            |        |          |
| ENG                            |        |          |
| PROJ. ENG.                     |        |          |
| PROD. ENG.                     |        |          |
| SCALE                          | 1 OF 2 |          |
| NEXT WORKING REV. R-00-5413534 |        |          |

|                               |            |
|-------------------------------|------------|
| TITLE DC SERVC & POWER SUPPLY |            |
| SIZE CODE                     | NUMBER     |
| 10 UA 5413534-0-0             | 1          |
| REV                           |            |
| 1                             | MS0291-021 |

D-WA-5413534-0-0 1 OF 2 PL02

AUTOMATED BY PRTLST.2E(2)

PARTS LIST

SHEET A1 OF A3

| LINE | ITEM | DOCUMENT NUMBER  | PART NUMBER | DESCRIPTION                   | QTY | PER VARIATION | REFERENCE DESIGNATOR                       |
|------|------|------------------|-------------|-------------------------------|-----|---------------|--|
| 1    | 1    | D-MD-5013533-0-0 | 5013533-00  | ETCHED CIRCUIT BOARD          | 1   |               | C12  |
| 2    | 2    |                  | 1013456-08  | 680.0 MMF 50V 10% X7R CER     | 1   |               | C7   |
| 3    | 3    |                  | 1016009-00  | 2200.0 MMF 50V 5% CER         | 1   |               | C1, C9, C10, C15                           |
| 4    | 4    |                  | 1001610-00  | .01 MFD 50V +80-20% Z5U CER   | 4   |               | C8   |
| 5    | 5    |                  | 1002630-00  | .015 MFD 100V 10% NYLR        | 1   |               | C3, C5, C11, C16                           |
| 6    | 6    |                  | 1013466-11  | .22 MFD 50V +80-20% Z5U CER   | 4   |               |  |
| 7    | 7    |                  | 1005306-00  | *** THIS ITEM IS NOT USED *** | -   |               |  |
| 8    | 8    |                  | 1000076-00  | *** THIS ITEM IS NOT USED *** | -   |               |  |
| 9    | 9    |                  | 1309422-00  | 5.10 .25 W 5.0 % CC           | 1   |               | R58  |
| 10   | 10   |                  | 1312929-00  | 62.0 .25 W 5.0 % CC           | 2   |               | R3, R23                                    |
| 11   | 11   |                  | 1311523-00  | 110.0 .25 W 5.0 % CC          | 1   |               | R22  |
| 12   | 12   |                  | 1300247-00  | 120.0 .25 W 5.0 % CC          | 1   |               | R13  |
| 13   | 13   |                  | 1300271-00  | 220.0 .25 W 5.0 % CC          | 1   |               | R59  |
| 14   | 14   |                  | 1301425-00  | 300.0 .25 W 5.0 % CC          | 1   |               | R55  |
| 15   | 15   |                  | 1303178-00  | 620.0 .25 W 5.0 % CC          | 1   |               | R6   |
| 16   | 16   |                  | 1300365-00  | 1.0 K .25 W 5.0 % CC          | 5   |               | R1, R7, R39, R44, R57                      |
| 17   | 17   |                  | 1300391-00  | 1.50 K .25 W 5.0 % CC         | 1   |               | R5   |
| 18   | 18   |                  | 1302388-00  | 2.0 K .25 W 5.0 % CC          | 2   |               | R31, R43                                   |
| 19   | 19   |                  | 1300426-00  | 2.70 K .25 W 5.0 % CC         | 2   |               | R46, R47                                   |
| 20   | 20   |                  | 1302389-00  | 4.30 K .25 W 5.0 % CC         | 1   |               | R53  |
| 21   | 21   |                  | 1300447-00  | 4.70 K .25 W 5.0 % CC         | 10  |               | R10-R12, R14, R15, R19, R20, R24, R49, R68 |
| 22   | 22   |                  | 1303179-00  | 8.20 K .25 W 5.0 % CC         | 3   |               | R9, R16, R17                               |
| 23   | 23   |                  | 1300488-00  | 12.0 K .25 W 5.0 % CC         | 4   |               | R25, R26, R45, R56                         |
| 24   | 24   |                  | 1305346-00  | 27.0 K .25 W 5.0 % CC         | 1   |               | R21  |
| 25   | 25   |                  | 1305131-00  | *** THIS ITEM IS NOT USED *** | -   |               |  |
| 26   | 26   |                  | 1312923-00  | 2.10 K .25 W 1.0 % RN55D-F10  | 1   |               | R41  |
| 27   | 27   |                  | 1305114-00  | 3.48 K .25 W 1.0 % RN55D-F10  | 1   |               | R34  |
| 28   | 28   |                  | 1314763-00  | 4.12 K .25 W 1.0 % RN55D-F10  | 1   |               | R36  |
| 29   | 29   |                  | 1303312-00  | 10.0 K .25 W 1.0 % RN55D-F10  | 3   |               | R28, R29, R62                              |

|                  |               |                        |                         |                                   |                           |                             |        |
|------------------|---------------|------------------------|-------------------------|-----------------------------------|---------------------------|-----------------------------|--------|
| REVISION HISTORY |               | BASIC PART NO: 5413534 |                         | DRN: JERRY BEST                   | DATE: 26-JUL-78           | DIGITAL                     |        |
| ENG:             | ECO NUMBER    | REV                    | SECTION A OF A          | CHK'D: JERRY BEST                 | DATE: 26-JUL-78           | PARTS LIST                  |        |
|                  | INIT          | A                      | SECTION VARIATION INDEX | DES. ENG: R. NOGUCHI              | DATE:                     | D.C. SERVO AND POWER SUPPLY |        |
| BN               | 5413534-CZ001 | B                      | (A) 00                  | RESP. ENG.: R. NOGUCHI            | DATE: 26-JUL-78           | DOCUMENT NUMBER             |        |
| NZ               | 5413534-CX003 | C                      | (B)                     | MFG. ENG.: P. CHURCH              | DATE:                     | SIZE CODE                   | NUMBER |
| NZ               | 5413534-CX004 | D                      | (C)                     | ASSEMBLY NUMBER: D-UA-5413534-0-0 | TOP DOCUMENT NUMBER: RL02 | FILE NAME:                  | REV    |
|                  |               |                        | (D)                     |                                   |                           | 5413534-0-DBP               | D      |
|                  |               |                        | (E)                     |                                   |                           | Z0494D.PLS                  | 19     |
|                  |               |                        | (F)                     |                                   |                           |                             |        |
|                  |               |                        | (G)                     |                                   |                           |                             |        |
|                  |               |                        | (H)                     |                                   |                           |                             |        |
|                  |               |                        | (I)                     |                                   |                           |                             |        |
|                  |               |                        | (J)                     |                                   |                           |                             |        |
|                  |               |                        | (K)                     |                                   |                           |                             |        |
|                  |               |                        | (L)                     |                                   |                           |                             |        |
|                  |               |                        | (M)                     |                                   |                           |                             |        |
|                  |               |                        | (N)                     |                                   |                           |                             |        |

"THIS DRAWING AND SPECIFICATIONS HEREIN, ARE THE PROPERTY OF DIGITAL EQUIPMENT CORPORATION AND SHALL NOT BE REPRODUCED OR COPIED OR USED IN WHOLE OR IN PART AS THE BASIS FOR THE MANUFACTURE OR SALE OF ITEMS WITHOUT WRITTEN PERMISSION. COPYRIGHT (C) 1931. DIGITAL EQUIPMENT CORPORATION"

AUTOMATED BY PRTLST.2E(2)

PARTS LIST

SHEET A2 OF A3

| LINE | ITEM | DOCUMENT NUMBER | PART NUMBER | DESCRIPTION                          | QTY | PER VARIATION | REFERENCE DESIGNATOR               |
|------|------|-----------------|-------------|--------------------------------------|-----|---------------|------------------------------------|
|      |      |                 |             |                                      | 00  |               |                                    |
| 30   | 30   |                 | 1312924-00  | 10.70 K .25 W 1.0 % RN55D-F10        | 1   |               | R32                                |
| 31   | 31   |                 | 1309412-00  | 18.20 K .25 W 1.0 % RN55D-F10        | 1   |               | R33                                |
| 32   | 32   |                 | 1315436-00  | 52.30 K .25 W 1.0 % RN55D-F10        | 1   |               | R54                                |
| 33   | 33   |                 | 1304843-00  | 243.0 K .25 W 1.0 % RN55D-F10        | 1   |               | R72                                |
| 34   | 34   |                 | 1315437-00  | 237.0 K .25 W 1.0 % RN55D-F10        | 1   |               | R38                                |
| 35   | 35   |                 | 1302378-00  | 51.0 .50 W 5.0 % CC                  | 1   |               | R51                                |
| 36   | 36   |                 | 1300364-00  | 1.0 K .50 W 5.0 % CC                 | 2   |               | R18, R48                           |
| 37   | 37   |                 | 1314068-00  | 360.0 1.0 W 5.0 % CC                 | 1   |               | R4                                 |
| 38   | 38   |                 | 1300368-00  | 1.0 K 1.0 W 5.0 % CC                 | 1   |               | R8                                 |
| 39   | 39   |                 | 1301494-00  | 200.0 2.0 W 5.0 % CC                 | 1   |               | R50                                |
| 40   | 40   |                 | 1313358-00  | .20 5.0 W 3.0 % WM                   | 1   |               | R2, R52                            |
| 41   | 41   |                 | 1105796-00  | 1N 4004 PIV=400 I= 1A D041 SP        | 3   |               | D1, D2, D5                         |
| 42   | 42   |                 | 1113953-00  | 1N 5523D VZ= 5.1 1% 1% .40W P        | 8   |               | D4, D6, D8, D9, D16, D18, D21, D22 |
| 43   | 43   |                 | 1109990-00  | 1N 757A VZ= 9.1 5% .40W P            | 2   |               | D23, D24                           |
| 44   | 44   |                 | 1110994-00  | 1N 751A VZ= 5.1 5% .40W              | 1   |               | D14                                |
| 45   | 45   |                 | 1114117-00  | 1N 4152 PIV=40 I=75                  | 6   |               | D3, D7, D10, D11, D12, D13         |
| 46   | 46   |                 | 1111577-00  | 1N 4454 TR= 4NS PIV= 50 S            | 6   |               | D15, D17, D20, D25-D27             |
| 47   | 47   |                 | 1513698-00  | TRIAC 2200V, I=14A                   | 1   |               | D19                                |
| 48   | 48   |                 | 9009597-00  | INSULATOR, THERMA-FILM               | 1   |               |                                    |
| 49   | 49   |                 | 1513489-00  | 2N 4401 NPN 350MW SI 40 20           | 4   |               | Q2, Q4, Q8, Q9                     |
| 50   | 50   |                 | 1513490-00  | 2N 4403 PNP 350MW SI-40 30           | 6   |               | Q1, Q3, Q5-Q7, Q11                 |
| 51   | 51   |                 | 1511282-00  | MJ2500 PNP 150WC SI 60 5 1K 5A       | 2   |               | E4, E6                             |
| 52   | 52   |                 | 1511349-00  | TIP 640 (OR MJ3000) NPN DARLNGT      | 1   |               | E3                                 |
| 53   | 53   |                 | 1911706-00  | 5012 ANALOG SWITCH, 4CHNL            | 1   |               | E8                                 |
| 54   | 54   |                 | 1912818-00  | LS36 NAND BUFFER-QUAD 2IN            | 1   |               | E10                                |
| 55   | 55   |                 | 1912107-01  | 324ANOP AMP QUAD                     | 1   |               | E7                                 |
| 56   | 56   |                 | 1913695-00  | 7808 VOLT REG, FIX +8V               | 1   |               | E9                                 |
| 57   | 57   |                 | 1913694-00  | 7908 VOLT REG, FIX -8V               | 1   |               | E5                                 |
| 58   | 58   |                 | 9008419-00  | WASHER, FLAT, THERMAFILM .002THK     | 5   |               |                                    |
| 59   | 59   |                 | 7418595-00  | HEATSINK ASSEMBLY                    | 1   |               |                                    |
| 60   | 60   |                 | 9008033-01  | SCREW, PAN, PHIL 4-40X 9/16 SS       | 11  |               |                                    |
| 61   | 61   |                 | 9006557-00  | NUT, KEP 4-40X 1/4 AF                | 11  |               |                                    |
| 62   | 62   |                 | 9006555-00  | WASHER, FLAT, .312 O.D. X .125 I     | 11  |               |                                    |
| 63   | 63   |                 | 9008268-00  | COMPOUND, THERMAL JOINT              | A/R |               |                                    |
| 64   | 64   |                 | 1210824-00  | THERMOSTAT, 03215, C3156, SPST, NORM | 1   |               | S1                                 |
| 65   | 65   |                 | 9008185-00  | NUT, KEP 6-32X1/4 AF                 | 1   |               |                                    |
| 66   | 66   |                 | 9006553-00  | WASHER, FLAT, .375 O.D. X .156 I     | 1   |               | F1                                 |
| 67   | 67   |                 | 1205747-00  | FUSE, SUB-MINI, 5.00GA, 125V, A      | 1   |               | TP13-TP19                          |
| 68   | 68   |                 | 9006735-00  | EYELET, FUNNEL FLANGE, .059 OD X     | 6   |               | TP0-TP12                           |
| 69   | 69   |                 | 9007791-00  | TERM PCB 2POS SOLDER, TURRET         | 13  |               |                                    |
| 70   | 70   |                 | 1213922-01  | HEADER 3POS                          | 1   |               | J1                                 |
| 71   | 71   |                 | 1213922-04  | HEADER 6POS                          | 1   |               | J2                                 |
| 72   | 72   |                 | 1213900-00  | CONN, RCPT 6POS                      | 1   |               | J3                                 |
| 73   | 73   |                 | 1209941-06  | HEADER.100 20POS RT ANGLE            | 1   |               | J4                                 |
| 74   | 74   |                 | 1209941-04  | HEADER RT ANGLE, RIGHT               | 1   |               |                                    |
| 75   | 75   |                 | 1209941-03  | HEADER RT ANGLE, LEFT L              | 1   |               |                                    |
| 76   | 76   |                 | 1305324-00  | 4.99 K .25 W 1.0 % RN55D-F10         | 2   |               | R37, R30                           |
| 77   | 77   |                 | 1300250-00  | 150.0 .25 W 5.0 % CC                 | 1   |               | R42                                |

|   |   |   |   |   |   |   |       |                             |                |      |      |                 |     |
|---|---|---|---|---|---|---|-------|-----------------------------|----------------|------|------|-----------------|-----|
| D | I | G | I | T | A | L | TITLE | D.C. SERVO AND POWER SUPPLY | SECTION A OF A | SIZE | CODE | DOCUMENT NUMBER | REV |
|   |   |   |   |   |   |   |       |                             |                | K    | PL   | 5413534-0-DBP   | D   |

AUTOMATED BY PRTLST.2E(2)

PARTS LIST

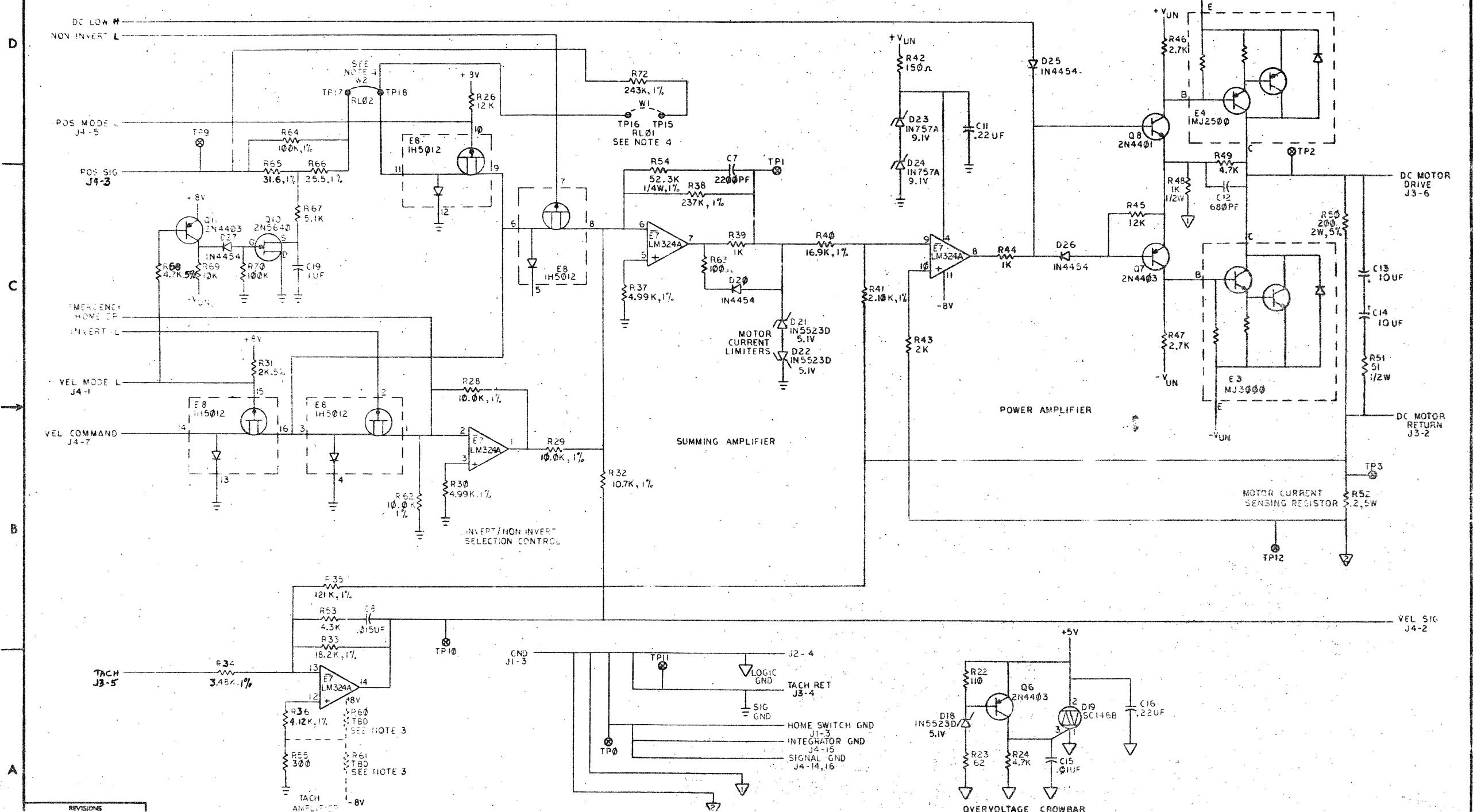
SHEET A3 OF A3

| LINE       | ITEM | DOCUMENT NUMBER | PART NUMBER | DESCRIPTION                      | QTY | PER VARIATION | REFERENCE DESIGNATOR |
|------------|------|-----------------|-------------|----------------------------------|-----|---------------|----------------------|
|            |      |                 |             |                                  | 00  |               |                      |
| 78         | 78   |                 | 1312618-00  | 16.90 K .25 W 1.0 % RN55D-F10    | 1   |               | R40                  |
| 79         | 79   |                 | 1300223-00  | 100.0 .25 W 5.0 % CC             | 1   |               | R63                  |
| 80         | 80   |                 | 1305336-00  | *** THIS ITEM IS NOT USED ***    | -   |               |                      |
| 81         | 81   |                 | 1309416-00  | 31.60 K .25 W 1.0 % RN55D-F10    | 1   |               | R65                  |
| 82         | 82   |                 | 1002781-00  | 100 MFD .25V +75-10% AL EL       | 1   |               | C20                  |
| 83         | 83   |                 | 9009185-00  | JUMPER, WIRE, INSULATED, BLACK B | 2   |               | W1, W2               |
| 84         | 84   |                 | 1303044-00  | 100.0 K .25 W 1.0 % RN55D-F10    | 1   |               | R64                  |
| 85         | 85   |                 | 1015574-00  | *** THIS ITEM IS NOT USED ***    | -   |               |                      |
| 86         | 86   |                 | 1315435-00  | 25.50 K .25 W 1.0 % RN55D-F10    | 1   |               | R66                  |
| 87         | 87   |                 | 1312930-00  | 5.10 K .25 W 5.0 % CC            | 1   |               | R67                  |
| 88         | 88   |                 | 1015520-00  | 1 MFD 100V 5% MET. MYLR          | 1   |               | C19                  |
| 89         | 89   |                 | 1513697-00  | 2N 5640 FET N CHNNL              | 1   |               | Q10                  |
| 90         | 90   |                 | 1300479-00  | 10.0 K .25 W 5.0 % CC            | 1   |               | R69                  |
| 91         | 91   |                 | 1302466-00  | 100.0 K .25 W 5.0 % CC           | 1   |               | R70                  |
| 92         | 92   |                 | 9105740-55  | WIRE (WRAP) 30AWG UL1423         | A/R |               | C4, C6, C13, C14     |
| 93         | 93   |                 | 1017472-00  | 10 MFD 35V +50-10% AL EL         | 4   |               | C2                   |
| 94         | 94   |                 | 1016549-00  | 47 MFD 10V +50-10% AL EL         | 1   |               |                      |
| RELEASABLE |      |                 |             |                                  |     |               |                      |

|   |   |   |   |   |   |   |       |                             |                |      |      |                 |     |
|---|---|---|---|---|---|---|-------|-----------------------------|----------------|------|------|-----------------|-----|
| D | I | G | I | T | A | L | TITLE | D.C. SERVO AND POWER SUPPLY | SECTION A OF A | SIZE | CODE | DOCUMENT NUMBER | REV |
|   |   |   |   |   |   |   |       |                             |                | K    | FL   | 5413534-0-DBP   | D   |



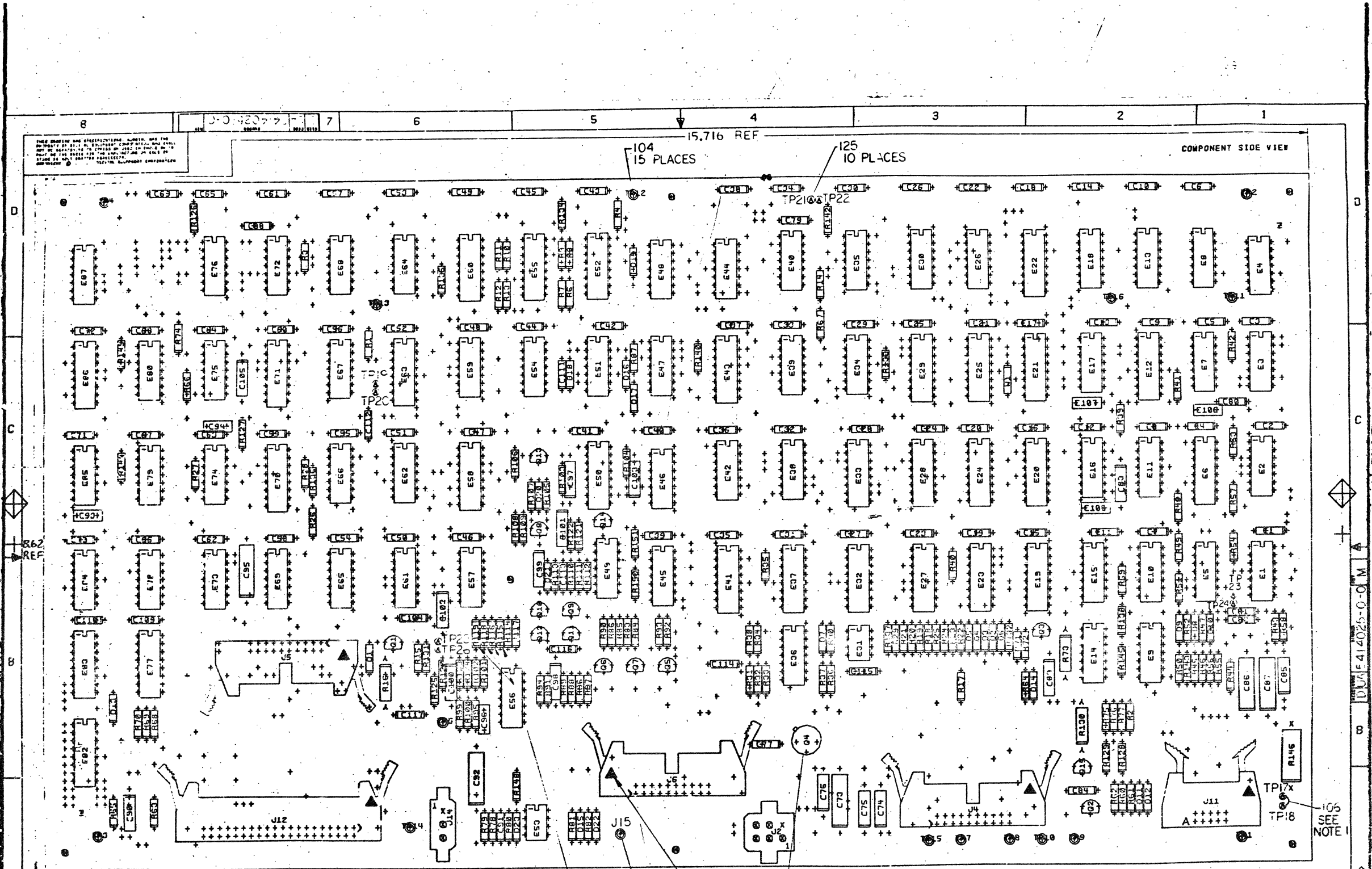
THIS DRAWING AND SPECIFICATIONS HEREIN ARE THE PROPERTY OF DIGITAL EQUIPMENT CORPORATION AND SHALL NOT BE REPRODUCED OR COPIED OR USED IN WHOLE OR IN PART AS THE BASIS FOR THE MANUFACTURE OR SALE OF ITEMS WITHOUT WRITTEN PERMISSION. COPYRIGHT © 1972 DIGITAL EQUIPMENT CORPORATION



| REVISIONS |            |      |
|-----------|------------|------|
| CHK       | CHANGE NO. | REV. |
|           |            |      |
|           |            |      |

|       |                           |           |        |      |
|-------|---------------------------|-----------|--------|------|
| TITLE | DC SERVO AND POWER SUPPLY | SIZE CODE | NUMBER | REV. |
| DCS   | 5413534-0-1               | DIST.     |        |      |

D-6-5413534-0-1 2 OF 2 RL02



SEE NOTE 2  
SEE NOTE 3  
103  
109

ETCH REV. E-P2

| SIGNATURES       | DATE |
|------------------|------|
| DRN              |      |
| CHK'D            |      |
| MECH. ENG.       |      |
| PROJ. ENG.       |      |
| PRCJ             |      |
| SCALE            |      |
| SHT              |      |
| NEXT HIGHER ASSY |      |

digital

TITLE: DRIVE LOGIC

SIZE: CODE 5

NUMBER: 20-00M

REV: 1

WOB# 29-061E



AUTOMATED BY PRTLST.3H(20)

PARTS LIST

SHEET A1 OF A4

| LINE ITEM | DOCUMENT NUMBER  | PART NUMBER | DESCRIPTION                    | QTY PER VARIATION | REFERENCE DESIGNATOR  |
|-----------|------------------|-------------|--------------------------------|-------------------|---|
| 1         | D-MD-5014024-0-0 | 5014024-00  | DRILL AND ETCH BRD             | 1                 |   |
| 2         | EWS              |             | RESISTOR, FINAL TEST, 1/4W, 1% | 4                 | R115, R116, R118, R119  |
| 3         |                  | 1000023-00  | 330.0 MHF 100V 5%200PPM MICA   | 4                 | C93, C104-C108  |
| 4         |                  | 1000024-00  | 470.0 MHF 100V 5%200PPM MICA   | 1                 | C94   |
| 5         |                  | 1000064-00  | 3.9MFD 10V 10% S.TANT          | 1                 | C85   |
| 6         |                  | 1000076-00  | 39 MFD 10V 10% S.TANT          | 1                 | C86   |
| 7         |                  | 1001610-00  | .01 MFD 50V +80-20% 25U CER    | 79                | C1-C6, C8-C39, C40-C45, C47-C49,<br>CONT C51-C53, C55-C68, C70-C71, C77,<br>CONT C79-C82, C84, C88, C104, C113-C117 |
| 8         |                  | 1001776-00  | 1 MFD 35V 10% S.TANT           | 2                 | C92, C97  |
| 9         |                  | 1004812-00  | 15 MFD 20V 10% S.TANT          | 1                 | C87   |
| 10        |                  | 1005784-00  | .01 MFD 100V 200V 10% NYL      | 1                 | C101  |
| 11        |                  | 1010979-32  | .047 MFD 50V 10% CER           | 1                 | C96   |
| 12        |                  | 1013466-07  | 220.0 MHF 50V 5% CER           | 1                 | C91   |
| 13        |                  | 1013466-08  | 680.0 MHF 50V 10% X7R CER      | 2                 | C89, C90  |
| 14        |                  | 1013466-09  | 1000.0 MHF 50V 10% X7R CER     | 1                 | C83   |
| 15        |                  | 1013466-10  | 3300.0 MHF 50V 5% CER          | 3                 | C98, C103, C105   |
| 16        |                  | 1013466-11  | .22 MFD 50V +80-20% 25U CER    | 2                 | C99, C102   |
| 17        |                  | 1111577-00  | 1N 4454 TR= 4NS PIV= 50 S      | 17                | D1, D7-D20, D22, D23  |
| 18        |                  | 1113953-00  | 1N 5523D VZ= 5.1 1%            | 1                 | D21   |
| 19        |                  | 1114117-00  | 1N 4152 PIV=40 I=75            | 5                 | D2-D6   |
| 20        |                  | 1209941-02  | *** THIS ITEM IS NOT USED ***  | -                 |   |
| 21        |                  | 1209941-03  | HEADER RT ANGLE LEFT L         | 1                 |   |
| 22        |                  | 1209941-04  | HEADER RT ANGLE RIGHT          | 1                 | J11   |
| 23        |                  | 1209941-05  | HEADER 100 10POS RT ANGLE      | 1                 |   |
| 24        |                  | 1209941-06  | *** THIS ITEM IS NOT USED ***  | -                 |   |
| 25        |                  | 1210385-01  | *** THIS ITEM IS NOT USED ***  | -                 | J14   |
| 26        |                  | 1213922-02  | HEADER 3POS                    | 1                 | J2  |
| 27        |                  | 1213922-04  | HEADER 6POS                    | 1                 | R48, R133-R136, R151  |
| 28        |                  | 1300229-00  | 100.0 .25 W 5.0 X CC           | 6                 |   |

| REVISION HISTORY |                | BASIC PART NO: 5414025 |                         | DRN:             | RT SINH     | DATE: 18-APR-79      | DIGITAL            |            |
|------------------|----------------|------------------------|-------------------------|------------------|-------------|----------------------|--------------------|------------|
| ENG:             | ECD NUMBER     | REV                    | SECTION A OF A          | CHK'D:           | P. KENDRICK | DATE: 18-APR-79      | TITLE              | PARTS LIST |
|                  | INITIAL        | A                      | SECTION VARIATION INDEX |                  |             |                      | DRIVE LOGIC        |            |
| MB               | 5414025-CX001  | B                      | [A] 00                  |                  |             |                      |                    |            |
| MB               | 5414025-CX002  | C                      | [B]                     |                  |             |                      |                    |            |
| MB               | 5414025-CX003  | D                      | [C]                     | DES. ENG:        | MIKE BROWN  | DATE: 18-APR-79      |                    |            |
| MB               | 5414025-CX005  | E                      | [D]                     |                  |             |                      | DOCUMENT NUMBER    |            |
| MB               | 5414025-CX010A | F                      | [E]                     | RESP. ENG.:      | MIKE BROWN  | DATE: 18-APR-79      | SIZE CODE NUMBER   | REV        |
| MB               | 5414025-CX014  | H                      | [F]                     |                  |             |                      |                    |            |
| MB               | 5414025-CX016  | J                      | [G]                     | MFG. ENG.:       | D. LICK     | DATE: 18-APR-79      | K PL 5414025-0-DBP | J          |
|                  |                |                        | [K]                     | ASSEMBLY NUMBER: |             | TGP DOCUMENT NUMBER: | FILE NAME:         | EDIT #     |
|                  |                |                        | [L]                     | D-UA-5414025-0-0 |             | B-DD-5414025-0       | Z0496J.PLS         | 33         |
|                  |                |                        | [M]                     |                  |             |                      |                    |            |
|                  |                |                        | [N]                     |                  |             |                      |                    |            |

"THIS DRAWING AND SPECIFICATIONS HEREIN ARE THE PROPERTY OF DIGITAL EQUIPMENT CORPORATION AND SHALL NOT BE REPRODUCED OR COPIED OR USED IN WHOLE OR IN PART AS THE BASIS FOR THE MANUFACTURE OR SALE OF ITEMS WITHOUT WRITTEN PERMISSION. COPYRIGHT (C) 1981, DIGITAL EQUIPMENT CORPORATION"

AUTOMATED BY PRTLST.3H(20)

PARTS LIST

SHEET A2 OF A4

| LINE | ITEM | DOCUMENT NUMBER | PART NUMBER | DESCRIPTION                   | QTY PER VARIATION | REFERENCE DESIGNATOR  |
|------|------|-----------------|-------------|-------------------------------|-------------------|---|
| 29   | 29   |                 | 1300271-00  | 220.0 .25 W 5.0 Z CC          | 4                 | R3,R14,R41,R143   |
| 30   | 30   |                 | 1300315-00  | 470.0 .50 W 5.0 Z CC          | 3                 | R16,R73,R130  |
| 31   | 31   |                 | 1300316-00  | 470.0 .25 W 5.0 Z CC          | 4                 | R1,R2,R79,R142  |
| 32   | 32   |                 | 1300365-00  | 1.0 K .25 W 5.0 Z CC          | 15                | R15,R39,R40,R42,R47,R52,R54,R56,<br>R61,R72,R74,R101,R106,R129,R140   |
| 33   | 33   |                 | 1300411-00  | 2.0 K .25 W 1.0 Z RN55D-F10   | 1                 | R144  |
| 34   | 34   |                 | 1300439-00  | 3.30 K .25 W 5.0 Z CC         | 3                 | R93,R124,R126   |
| 35   | 35   |                 | 1300447-00  | 4.70 K .25 W 5.0 Z CC         | 36                | R4,R6-R13,R26-R28,R34,R35,R38,<br>R43,R44,R49,R53,R57,R58,R75-R78,<br>R80,R82,R92,R102,R105,R123,R125,<br>R127,R138,R145,R148 |
| 36   | 36   |                 | 1300479-00  | 10.0 K .25 W 5.0 Z CC         | 3                 | R17,R70,R107  |
| 37   | 37   |                 | 1302388-00  | 2.0 K .25 W 5.0 Z CC          | 14                | R18-R21,R45,R50,R66,R67,R71,R87,<br>R122,R128,R131,R149   |
| 38   | 38   |                 | 1302391-00  | 20.0 K .25 W 5.0 Z CC         | 1                 | R59   |
| 39   | 39   |                 | 1302394-00  | 30.0 K .25 W 5.0 Z CC         | 1                 | R95   |
| 40   | 40   |                 | 1302398-00  | 470.0 K .25 W 5.0 Z CC        | 1                 | R55   |
| 41   | 41   |                 | 1302466-00  | 100.0 K .25 W 5.0 Z CC        | 1                 | R121  |
| 42   | 42   |                 | 1302514-00  | 39.0 K .25 W 5.0 Z CC         | 1                 | R91   |
| 43   | 43   |                 | 1302666-00  | 10.0 H .25 W 5.0 Z CC         | 1                 | R94   |
| 44   | 44   |                 | 1302871-00  | 1.21 K .25 W 1.0 Z RN55D-F10  | 1                 | R88   |
| 45   | 45   |                 | 1303044-00  | 100.0 K .25 W 1.0 Z RN55D-F10 | 1                 | R25   |
| 46   | 46   |                 | 1303047-00  | 464.0 .25 W 1.0 Z RN55D-F10   | 5                 | R44,R45,R83,R85,R113  |
| 47   | 47   |                 | 1303114-00  | 1.0 K .25 W 1.0 Z RN55D-F10   | 2                 | R89,R150  |
| 48   | 48   |                 | 1303312-00  | 10.0 K .25 W 1.0 Z RN55D-F10  | 6                 | R29,R30,R31,R36,R60,R63   |
| 49   | 49   |                 | 1304693-00  | *** THIS ITEM IS NOT USED *** | -                 |   |
| 50   | 50   |                 | 1304841-00  | 75.0 K .25 W 5.0 Z CC         | 1                 | R81   |
| 51   | 51   |                 | 1304862-00  | *** THIS ITEM IS NOT USED *** | -                 |   |
| 52   | 52   |                 | 1304870-00  | 6.81 K .25 W 1.0 Z RN55D-F10  | 1                 | R33   |
| 53   | 53   |                 | 1305124-00  | 287.0 .25 W 1.0 Z RN55D-F10   | 2                 | R84,R86   |
| 54   | 54   |                 | 1305265-00  | 39.20 K .25 W 1.0 Z RN55D-F10 | 1                 | R24   |
| 55   | 55   |                 | 1305337-00  | 3.65 K .25 W 1.0 Z RN55D-F10  | 2                 | R96,R99   |
| 56   | 56   |                 | 1305405-00  | 24.90 K .25 W 1.0 Z RN55D-F10 | 1                 | R23   |
| 57   | 57   |                 | 1309595-00  | 1.0 H .25 W 5.0 Z CC          | 3                 | R46,R51,R132  |
| 58   | 58   |                 | 1310632-00  | 2.37 K .25 W 1.0 Z RN55D-F10  | 2                 | R109,R110   |
| 59   | 59   |                 | 1317503-00  | 301.0 .25 W 1.0 Z RN55D-F10   | 2                 | R97,R100  |
| 60   | 60   |                 | 1312929-00  | *** THIS ITEM IS NOT USED *** | -                 |   |
| 61   | 61   |                 | 1312930-00  | 3.10 K .25 W 5.0 Z CC         | 3                 | R48,R49,R137  |
| 62   | 62   |                 | 1312989-00  | 17.80 K .25 W 1.0 Z RN55D-F10 | 3                 | R22,R103,R104   |
| 63   | 63   |                 | 1313589-00  | 1.40 K .25 W 1.0 Z RN55D-F10  | 1                 | R90   |
| 64   | 64   |                 | 1313846-00  | 2.26 K .25 W 1.0 Z RN55D-F10  | 1                 | R32   |
| 65   | 65   |                 | 1314041-00  | 3.01 K .25 W 1.0 Z RN55D-F10  | 1                 | R37   |
| 66   | 66   |                 | 1314491-00  | *** THIS ITEM IS NOT USED *** | -                 |   |
| 67   | 67   |                 | 1513489-00  | 2N 4401 NPN 350MW SI 40 20    | 3                 | 07,010,012  |
| 68   | 68   |                 | 1513490-00  | 2N 4403 PNP 350MW SI 40 30    | 10                | 01-03,05,06,08,09,011,013,015   |
| 69   | 69   |                 | 1513697-00  | 2N 5640 FET N CHNML           | 1                 | 014   |
| 70   | 70   |                 | 1909928-00  | 7416 INVERTER GATE-HEX 11     | 4                 | E9,E10,E68,E85  |
| 71   | 71   |                 | 1919046-00  | 7442 DECODER-1 OF 10,BCD      | 1                 | E55   |

|   |   |   |   |   |   |   |       |             |           |    |   |      |      |                 |     |
|---|---|---|---|---|---|---|-------|-------------|-----------|----|---|------|------|-----------------|-----|
| D | I | G | I | T | A | L | TITLE | DRIVE LOGIC | SECTION A | OF | A | SIZE | CODE | DOCUMENT NUMBER | REV |
|   |   |   |   |   |   |   |       |             |           |    |   | K    | PL   | 5414025-0-DBP   | J   |

AUTOMATED BY PRLST.JH(20)

PARTS LIST

SHEET A3 OF A4

| LINE | ITEM | DOCUMENT NUMBER | PART NUMBER | DESCRIPTION                      | QTY | PER VARIATION | REFERENCE DESIGNATOR                                |
|------|------|-----------------|-------------|----------------------------------|-----|---------------|---|
|      |      |                 |             |                                  | 00  |               |   |
| 72   | 72   |                 | 1910268-00  | DEC 75107B RECEIVER, LINE, DUAL, | 4   |               | E57, E61, E65, E87                                  |
| 73   | 73   |                 | 1910298-00  | 741 OP AMP GEN PURP. COM         | 1   |               | E31   |
| 74   | 74   |                 | 1910363-00  | 7496 SHIFT REG., 3BIT            | 1   |               | E63   |
| 75   | 75   |                 | 1910536-00  | 74510 NAND GATE-TRIPLE 3IN       | 1   |               | E45   |
| 76   | 76   |                 | 1910655-00  | 74157 MUX 2 TO 1 QUAD            | 2   |               | E23, E24  |
| 77   | 77   |                 | 1911341-00  | 75113 DRIVER, LINE, DUAL, RA     | 3   |               | E77, E83, E86                                       |
| 78   | 78   |                 | 1912107-01  | 324ANOP AMP, QUAD                | 1   |               | E49   |
| 79   | 79   |                 | 1912108-00  | 339 VOLT CMPFTR, QUAD            | 3   |               | E5, E36, E56  |
| 80   | 80   |                 | 1912541-00  | 79M05 VCLT REG, FIX -5V          | 1   |               | 04  |
| 81   | 81   |                 | 1912697-00  | LS174 FF-D HEX W/CLEAR           | 2   |               | E37, E41  |
| 82   | 82   |                 | 1912799-00  | LS00 NAND-GATE-QUAD 2IN, P       | 4   |               | E7, E15, E44, E67                                   |
| 83   | 83   |                 | 1912801-00  | LS02 NOR-GATE-QUAD 2IN           | 4   |               | E1, E30, E39, E54                                   |
| 84   | 84   |                 | 1912803-00  | 74LS04 INVERTER GATE, HEX        | 2   |               | E79, E80  |
| 85   | 85   |                 | 1912805-00  | LS08 AND GATE-QUAD 2IN, PD       | 4   |               | E14, E34, E38, E69, E72, E76                        |
| 86   | 86   |                 | 1912807-00  | LS10 NAND GATE-TRIPLE 3IN        | 1   |               | E18   |
| 87   | 87   |                 | 1912810-00  | LS20 NAND GATE-DUAL 4IN          | 1   |               | E2  |
| 88   | 88   |                 | 1912813-00  | LS27 NOR GATE-TRIPLE 3IN         | 1   |               | E73   |
| 89   | 89   |                 | 1912816-00  | LS32 OR GATE-QUAD 2IN, POS       | 4   |               | E17, E35, E59, E84                                  |
| 90   | 90   |                 | 1912824-00  | LS74 FF-D DUAL, EDGE TRIGG       | 8   |               | E3, E11, E16, E26, E42, E46, E62, E75               |
| 91   | 91   |                 | 1912829-00  | LS86 X-OR GATE-QUAD 2IN          | 3   |               | E51, E66, E78                                       |
| 92   | 92   |                 | 1912837-00  | LS123 ONE SHOT-DUAL, RETRIG      | 1   |               | E50   |
| 93   | 93   |                 | 1912854-00  | LS193 COUNTER, SYNCHR, 4BIT,     | 3   |               | E27, E28, E43                                       |
| 94   | 94   |                 | 1912855-00  | LS195 SHIFT REG., 4BIT, PARA     | 5   |               | E19, E22, E25                                       |
| 95   | 95   |                 | 1912857-00  | LS197 COUNTER, BINARY, PRESET    | 4   |               | E4, E8, E13, E74                                    |
| 96   | 96   |                 | 1912864-00  | LS279 LATCH, QUAD-S-R            | 4   |               | E6, E12, E29, E33, E58, E71                         |
| 97   | 97   |                 | 1913414-00  | LS14 INVERTER GATE-HEX SC        | 2   |               | E40, E48  |
| 98   | 98   |                 | 1914156-00  | LM 393 VOLT. COMPARATOR DUAL     | 1   |               | E53   |
| 99   | 99   |                 | 23368A2-00  | A2-02, A2-C4                     | 1   |               | E52   |
| 100  | 100  |                 | 23371A2-00  | A2-02, A2-04                     | 1   |               | E60   |
| 101  | 101  |                 | 23444A2-00  | A2-02, A2-04                     | 1   |               | E70   |
| 102  | 102  |                 | 23445A2-00  | A2-02, A2-04                     | 1   |               | E32   |
| 103  | 103  |                 | 9007201-00  | TRANSIPADS 10253                 | 1   |               |   |
| 104  | 104  |                 | 9007791-00  | TERM PCB 2POS SOLDER, TURRET     | 15  |               | TP1-TP4, TP6-TP16                                   |
| 105  | 105  |                 | 9009185-00  | JUMPER, WIRE, INSULATED, BLACK B | 1   |               | W1  |
| 106  | 106  |                 | 9105740-55  | WIRE(WRAP)30AWG UL1423           | A/R |               |   |
| 107  | 107  |                 | 1012784-00  | .047 MFD 50V +80-20% CER         | 10  |               | C7, C46, C50, C54, C69, C72, C109, C110, C111, C112 |
| 108  | 108  |                 | 1911324-00  | 7414 INVERTER, HEX 1IN SCH       | 1   |               | E64   |
| 109  | 109  |                 | 1217377-00  | TERM-TAB .205TAB CRIMP           | 1   |               | J15   |
| 110  | 110  |                 | 1005334-00  | *** THIS ITEM IS NOT USED ***    | -   |               |   |
| 111  | 111  |                 | 1305608-00  | *** THIS ITEM IS NOT USED ***    | -   |               |   |
| 112  | 112  |                 | 1303067-00  | 422.0 .25 W 1.0 Z RN55D-F10      | 1   |               | R108  |
| 113  | 113  |                 | 1311465-00  | 43.0 .25 W 5.0 Z CC              | 2   |               | R111, R112  |
| 114  | 114  |                 | 1018440-00  | 4700.0 MHF 50V 1% CER            | 1   |               | C100  |
| 115  | 115  |                 | 1016549-00  | 47 MFD 10V +50-10% AL EL         | 2   |               | C73, C95  |
| 116  | 116  |                 | 1017472-00  | 10 MFD 35V +50-10% AL EL         | 3   |               | C74, C75, C76                                       |
| 117  | 117  |                 | 1300309-00  | 390.0 .25 W 5.0 Z CC             | 1   |               | R62   |
| 118  | 118  |                 | 1305126-00  | 619.0 .25 W 1.0 Z RN55D-F10      | 1   |               | R114  |

|   |   |   |   |   |   |   |       |             |                |      |      |                 |     |
|---|---|---|---|---|---|---|-------|-------------|----------------|------|------|-----------------|-----|
| D | I | G | I | T | A | L | TITLE | DRIVE LOGIC | SECTION A OF A | SIZE | CODE | DOCUMENT NUMBER | REV |
|   |   |   |   |   |   |   |       |             |                | K    | PL   | 5414025-0-DBP   | J   |

AUTOMATED BY PRTLST.3H(20)

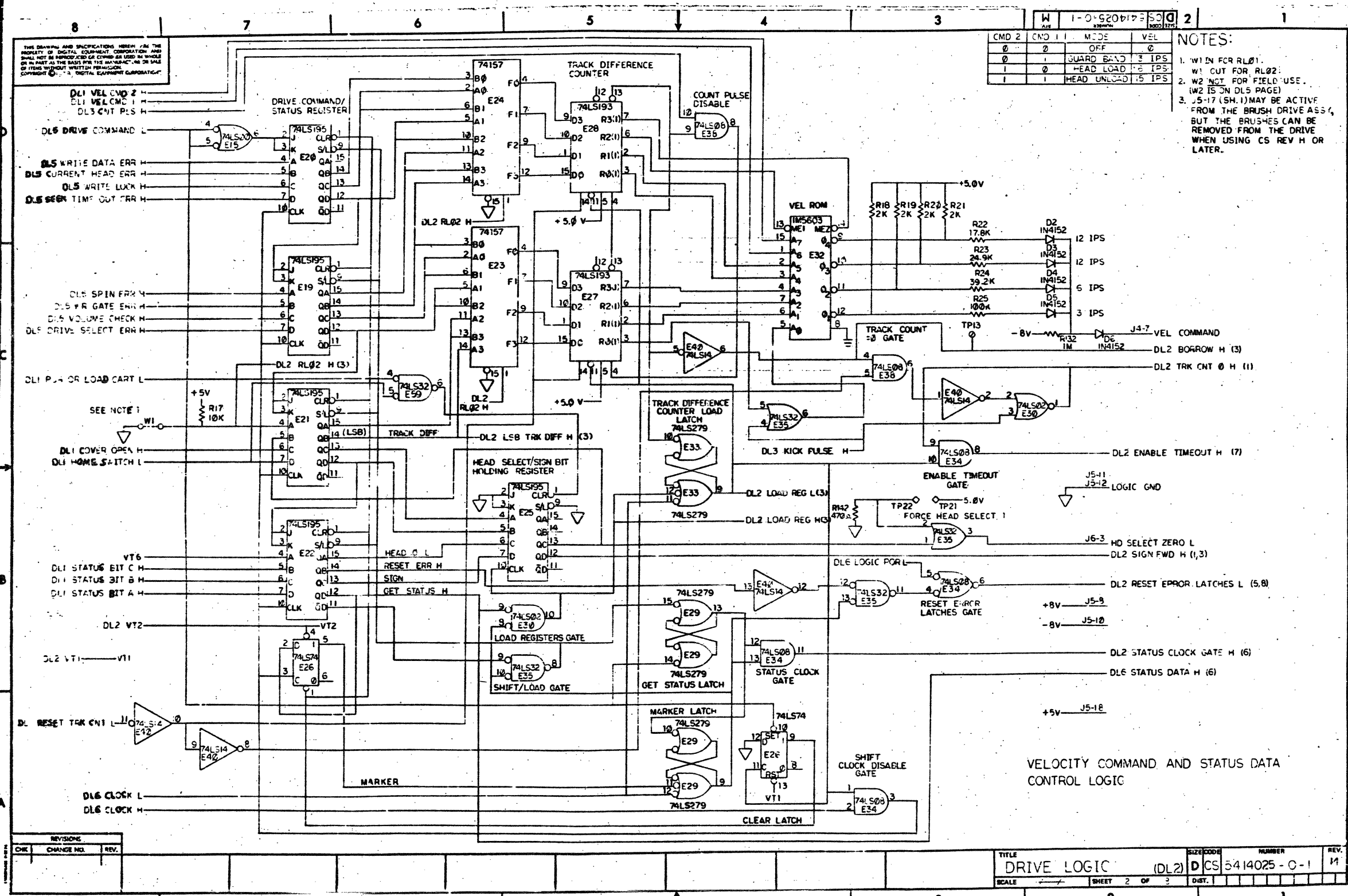
PARTS LIST

SHEET A4 OF A4

| LINE | ITEM | DOCUMENT NUMBER | PART NUMBER | DESCRIPTION                       | QTY PER VARIATION<br>00 | REFERENCE DESIGNATOR |
|------|------|-----------------|-------------|-----------------------------------|-------------------------|----------------------|
| 119  | 119  |                 | 1309417-00  | 27.40 K .25 W 1.0 X RN55D-F10     | 1                       | R120                 |
| 120  | 120  |                 | 1343155-00  | 604.0 .25 W 1.0 X RN55D-F10       | 1                       | R117                 |
| 121  | 121  |                 | 1910544-00  | 7AS74 FF-D DUAL EDGE TRIGG        | 1                       | E47                  |
| 122  | 122  |                 | 1216832-02  | HEADER 40PDS WITH LATCHES         | 1                       | J12                  |
| 123  | 123  |                 | 1216832-00  | HEADER 05 20PDS WITH LATCHES      | 3                       | J4;J5;J6             |
| 124  | 124  |                 | 1305653-00  | 22.0 1.0 W10.0 X CC               | 1                       | R146                 |
| 125  | 125  |                 | 9009149-01  | PIN; STAKING; P.C. BOARD .025 SQU | 10                      | TP17-TP26            |

|   |   |   |   |   |   |   |             |                |           |                 |     |
|---|---|---|---|---|---|---|-------------|----------------|-----------|-----------------|-----|
| D | I | G | I | T | A | L | TITLE       | SECTION A OF A | SIZE CODE | DOCUMENT NUMBER | REV |
|   |   |   |   |   |   |   | DRIVE LOGIC |                | K PL      | 5414025-0-DBP   | J   |





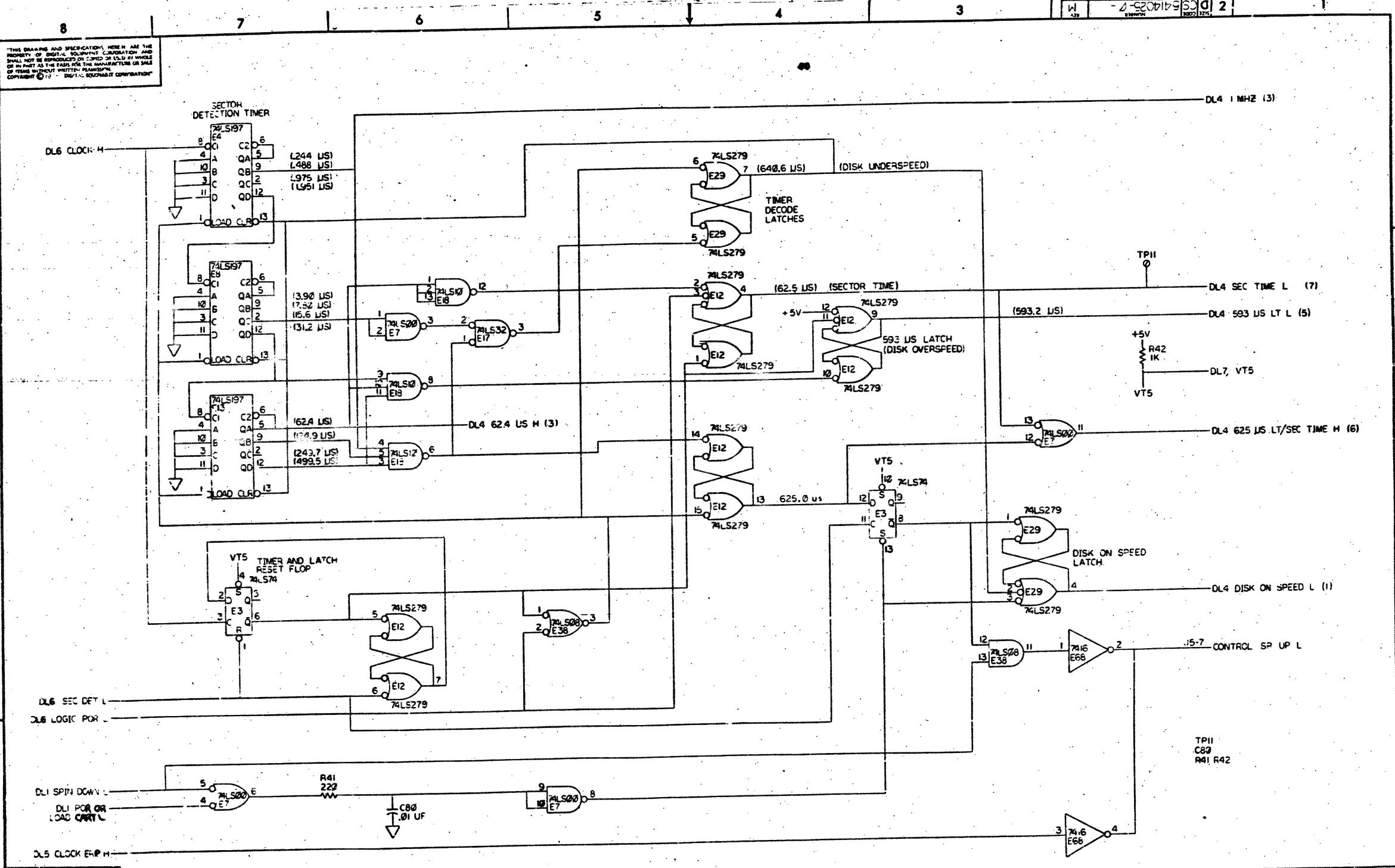
| CHK | CHANGE NO. | REV. |
|-----|------------|------|
|     |            |      |

| TITLE             | SIZE CODE    | NUMBER          | REV. |
|-------------------|--------------|-----------------|------|
| DRIVE LOGIC (DL2) | D CS         | 5414025 - 0 - 1 | 11   |
| SCALE             | SHEET 2 OF 3 | DIST.           |      |

D-5-5414025 - 0 - 1 2 OF 3 RL02



THIS DRAWING AND SPECIFICATION HEREIN ARE THE PROPERTY OF DIGITAL EQUIPMENT CORPORATION AND SHALL NOT BE REPRODUCED OR COPIED IN WHOLE OR IN PART AS THE BASIS FOR THE MANUFACTURE OR SALE OF ITEMS WITHOUT WRITTEN PERMISSION. COPYRIGHT © 1972 - DIGITAL EQUIPMENT CORPORATION



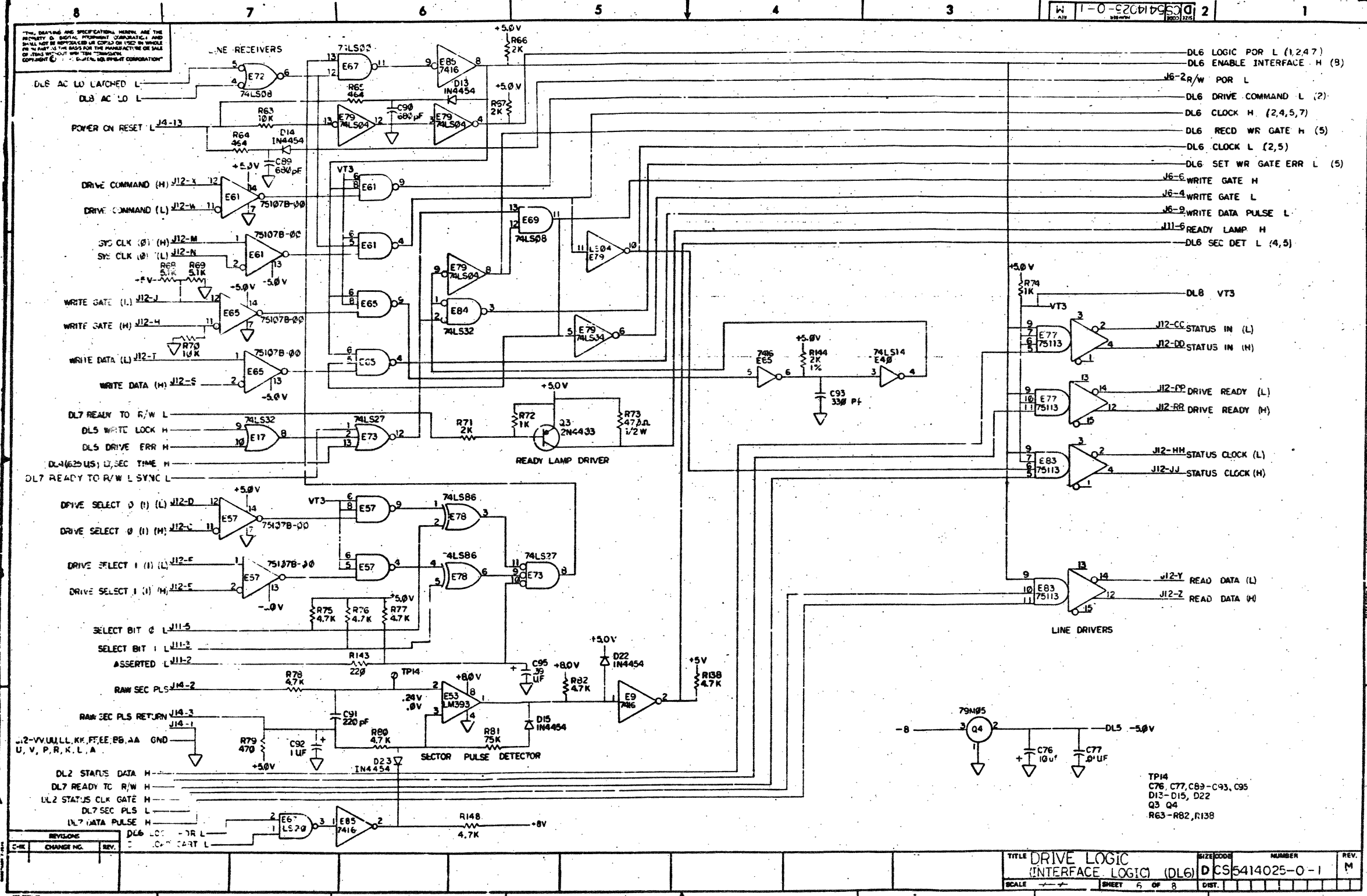
| REV. | CHANGE NO. | REV. |
|------|------------|------|
|      |            |      |

|       |   |        |       |                 |      |
|-------|---|--------|-------|-----------------|------|
| TITLE | DRIVE LOGIC<br>(DISK SPEED CONTROL) (DL4) | SIZE   | CORR  | NUMBER          | REV. |
| SCALE | 1 SHEET                                   | 4 OF 8 | DIST. | DCS 5414025-7-1 |      |

D-5414025-0-1 4 OF 8 R102





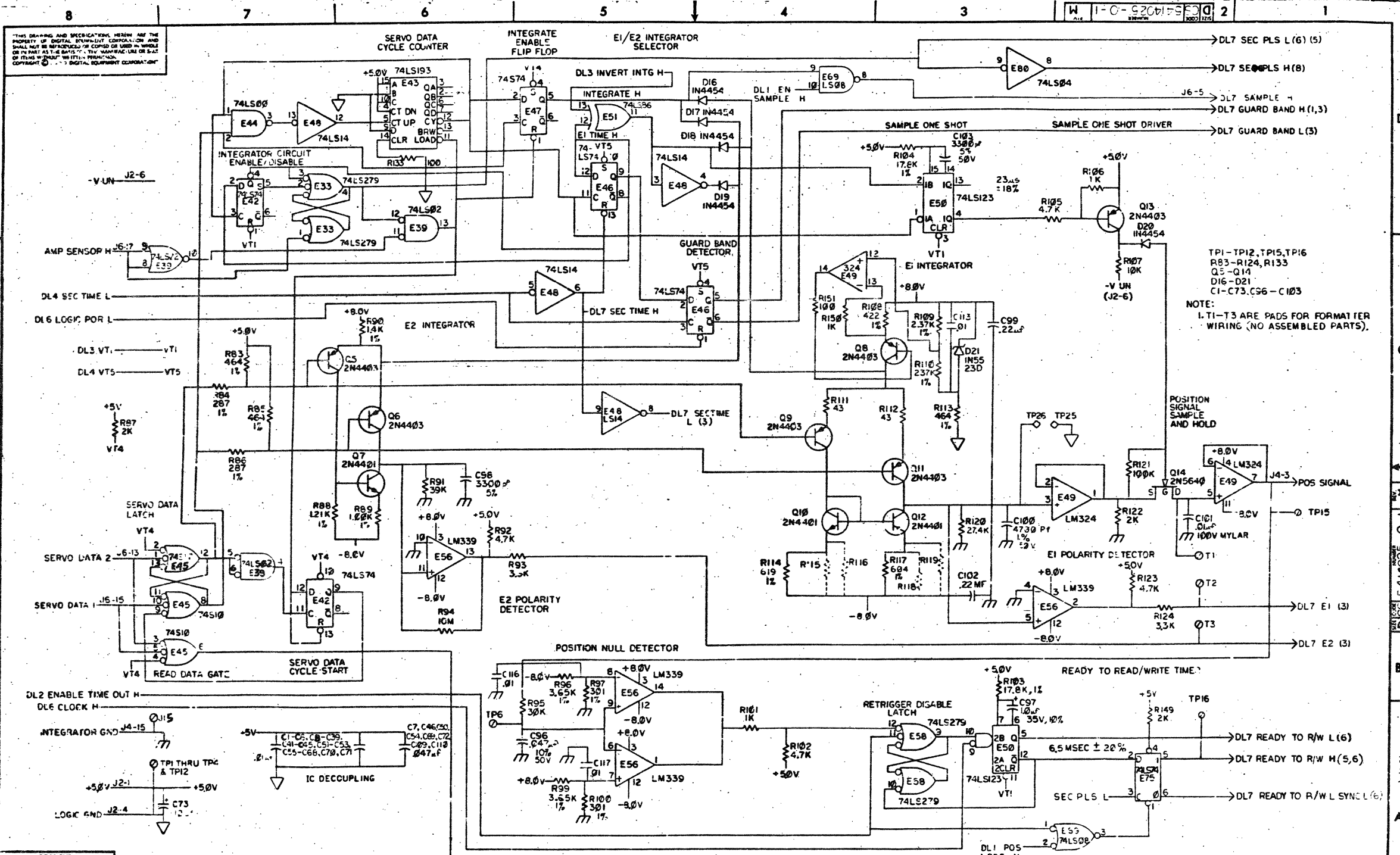


THIS DRAWING AND SPECIFICATION HEREIN ARE THE PROPERTY OF DIGITAL INSTRUMENT CORPORATION, AND SHALL NOT BE REPRODUCED OR COPIED IN WHOLE OR IN PART WITHOUT THE WRITTEN PERMISSION OF SALES AND MARKETING DEPARTMENT. COMPANY © 1974, DIGITAL INSTRUMENT CORPORATION

| REV. | CHANGE NO. | DESCRIPTION |
|------|------------|-------------|
| 1    |            | INITIAL     |

|       |                                     |        |                 |       |   |
|-------|-------------------------------------|--------|-----------------|-------|---|
| TITLE | DRIVE LOGIC (INTERFACE LOGIC) (DL6) | NUMBER | DCS 5414025-0-1 | REV.  | M |
| SCALE |                                     | SHEET  | 5 OF 8          | DIST. |   |

D-CS-5414025-0-1 6 OF 8 RL92



THIS DRAWING AND SPECIFICATIONS HEREOF ARE THE PROPERTY OF DIGITAL EQUIPMENT CORPORATION AND SHALL NOT BE REPRODUCED OR COPIED OR USED IN WHOLE OR IN PART AS THE BASIS FOR THE MANUFACTURE OF ANY PRODUCT WITHOUT THE WRITTEN PERMISSION OF DIGITAL EQUIPMENT CORPORATION.

NOTE:  
 TPI-TPI2, TPI5, TPI6  
 R83-R124, R133  
 Q5-Q14  
 D16-D21  
 C1-C73, C96-C103

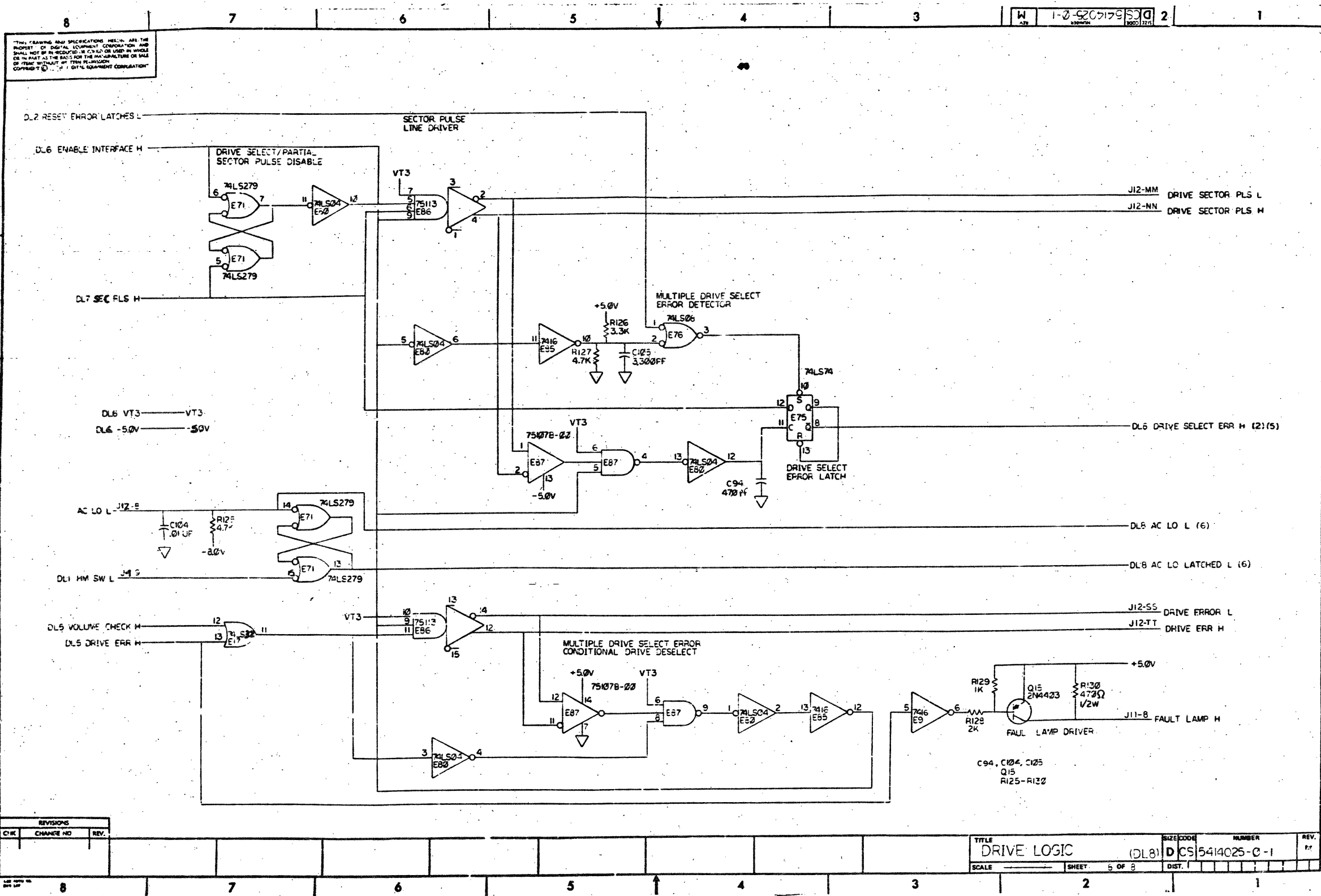
POSITION SIGNAL SAMPLE AND HOLD

| REV. | CHANGE NO. | DESCRIPTION |
|------|------------|-------------|
|      |            |             |

|       |                                      |             |        |      |
|-------|--------------------------------------|-------------|--------|------|
| TITLE | DRIVE LOGIC (INTEGRATOR LOGIC) (DL7) | SIZE/COORD. | NUMBER | REV. |
| SCALE | SHEET 7 OF 7                         | DIST.       |        |      |

D-C5-5414025-0-1 7 OF 8

RL02



THIS DRAWING AND SPECIFICATIONS HEREIN ARE THE PROPERTY OF DIGITAL EQUIPMENT CORPORATION AND SHALL NOT BE REPRODUCED, COPIED, OR USED IN WHOLE OR IN PART AS THE BASIS FOR THE MANUFACTURE OR SALE OF ITEMS WITHOUT THE WRITTEN PERMISSION OF DIGITAL EQUIPMENT CORPORATION.

| REVISIONS |            |      |
|-----------|------------|------|
| CHK       | CHANGE NO. | REV. |
|           |            |      |

|                            |       |                                |                  |           |
|----------------------------|-------|--------------------------------|------------------|-----------|
| TITLE<br>DRIVE LOGIC (DL8) |       | SIZE/SCALE<br>D CS 5414025-C-1 | NUMBER<br>5 OF 8 | REV.<br>1 |
| SCALE                      | SHEET | DIST.                          |                  |           |

7411 5 10 0 1-0-001100-57-0

| LINE | ITEM | DOCUMENT NUMBER  | PART NUMBER | DESCRIPTION                    | QUANTITY PER VARIATION |
|------|------|------------------|-------------|--------------------------------|------------------------|
| 1    | 1    | D-AD-7012111-0-0 | 7012111-00  | BEZEL ASSY                     | 1                      |
| 2    | 2    | D-AD-7016991-0-0 | 7016991-00  | COVER, SWITCH ASSY.            | 1                      |
| 3    | 3    | E-AD-7012114-0-0 | 7012114-00  | DISK MOTOR ASSY                | 1                      |
| 4    | 4    | E-AD-7012115-0-0 | 7012115-00  | FRONT COVER ASSY               | 1                      |
| 5    | 5    | E-AD-7012116-0-0 | 7012116-00  | MAIN CHASSIS ASSY              | 1                      |
| 6    | 6    | D-AD-7012117-0-0 | 7012117-00  | POSITIONER ASSY                | 1                      |
| 7    | 7    | D-AD-7015124-0-0 | 7015124-00  | RL02 R/W BOX ASSY              | 1                      |
| 8    | 8    | D-AD-7015125-0-0 | 7015125-00  | RL02 REAR COVER ASSY           | 1                      |
| 9    | 9    | D-AD-7015116-0-0 | 7015116-00  | SPINDLE ASSY                   | 1                      |
| 10   | 10   |                  | 9006038-01  | SCREW,PAN,PHIL 8-32X 7/16 SS   | 4                      |
| 11   | 11   | D-IA-7015637-0-0 | 7015637-00  | RL02 DATA HEAD *A*UP           | 1                      |
| 12   | 12   | B-AD-7012128-0-0 | 7012128-00  | ACCESS COVER ASSEMBLY          | 1                      |
| 13   | 13   | D-AD-7012130-0-0 | 7012130-00  | POWER PANEL ASSEMBLY           | 1                      |
| 14   | 14   | B-IA-7012139-0-0 | 7012139-0F  | INTERCONNECT CABLE             | 2                      |
| 15   | 15   | B-IA-7014262-0-0 | 7014262-00  | INTERCONNECT CABLE ASSEMBLY    | 1                      |
| 16   | 16   | C-IA-7012140-0-0 | 7012140-00  | POWER HARNESS DC               | 1                      |
| 17   | 17   | B-IA-7012107-0-0 | 7012107-3D  | INTERCONNECT CABLE             | 1                      |
| 18   | 18   | D-MD-7415094-0-0 | 7415094-00  | REAR COVER                     | 1                      |
| 19   | 19   | C-MD-7415101-0-0 | 7415101-00  | SPRING, PLENUM COVER           | 2                      |
| 20   | 20   | C-MD-7415297-0-0 | 7415297-00  | FILTER,PAD                     | 1                      |
| 21   | 21   | C-MD-7415303-0-0 | 7415303-00  | COVER AC SERVO                 | 1                      |
| 22   | 22   | C-MD-7416335-0-0 | 7416335-00  | CABLE RETAINER                 | 1                      |
| 23   | 23   | D-MD-7417450-0-0 | 7417450-00  | HATCH                          | 1                      |
| 24   | 24   | C-MD-7417454-0-0 | 7417454-00  | BRACKET PLENUM                 | 2                      |
| 25   | 25   | C-MD-7417455-0-0 | 7417455-00  | LATCH PLENUM                   | 2                      |
| 26   | 26   | D-UA-5411848-0-0 | 5411848-00  | ETCH BRD 54-11848              | 1                      |
| 27   | 27   | D-UA-5413534-0-0 | 5413534-00  | DC SERVO + POWER SUPPLY (RL02) | 1                      |
| 28   | 28   |                  | 9006024-01  | SCREW,PAN,PHIL 6-32X 1/2 SS    | 2                      |
| 29   | 29   | D-AD-7012137-0-0 | 7012137-00  | TRANSDUCER ASSY                | 1                      |
| 30   | 30   |                  | 1213097-00  | FILTER,AIR,HEPA,33CFM          | 1                      |

| REVISION HISTORY |             |     | BASIC PART NO: ORL02     |                  | DRN:     | W.GRIMES             | DATE:     | 15 FEB 78                | DIGITAL |            |     |  |
|------------------|-------------|-----|--------------------------|------------------|----------|----------------------|-----------|--------------------------|---------|------------|-----|--|
| ENG              | ECO NUMBER  | REV | SECTION A OF A           | CHK'D:           | W.MAJOR  | DATE:                | 15 FEB 78 | TITLE PARTS LIST         |         |            |     |  |
|                  | RL02-CZ002  | A   | SECTION, VARIATION INDEX |                  |          |                      |           | RL02 DISK DRIVE ASSEMBLY |         |            |     |  |
| BM               | RL02-CX003  | B   | [A] 00                   |                  |          |                      |           |                          |         |            |     |  |
| BM               | RL02-CX004  | C   |                          |                  |          |                      |           |                          |         |            |     |  |
| KG               | RL02-CX006A | D   | [B]                      | DES.ENG.:        | B.MILLER | DATE:                | 15 FEB 78 |                          |         |            |     |  |
| KG               | RL02-CX008  | E   |                          |                  |          |                      |           |                          |         |            |     |  |
| KG               | RL02-CX009  | F   | [C]                      |                  |          |                      |           | DOCUMENT NUMBER          |         |            |     |  |
| MZ               | RL02-CX010  | H   |                          | RESP.ENG.:       | B.MILLER | DATE:                | 15 FEB 78 | SIZE                     | CODE    | NUMBER     | REV |  |
| KG               | RL02-CX012  | J   | [D]                      |                  |          |                      |           |                          |         |            |     |  |
| KG               | RL02-CX013  | K   | [E]                      | MFG.ENG.:        | D.LICK   | DATE:                | 15 FEB 78 | K                        | PL      | RL02-0-DBP | K   |  |
|                  |             |     | [F]                      | ASSEMBLY NUMBER: |          | TOP DOCUMENT NUMBER: |           | FILE NAME:               |         | EDIT #     |     |  |
|                  |             |     |                          | E-UA-RL02-0-0    |          | # B-DD-RL02-0        |           | Z0485K.PLS               |         | 21         |     |  |

\*THIS DRAWING AND SPECIFICATIONS HEREIN, ARE THE PROPERTY OF DIGITAL EQUIPMENT CORPORATION AND SHALL NOT BE REPRODUCED OR COPIED OR USED IN WHOLE OR IN PART AS THE BASIS FOR THE MANUFACTURE OR SALE OF ITEMS WITHOUT WRITTEN PERMISSION. COPYRIGHT (C) 1980. DIGITAL EQUIPMENT CORPORATION \*

| LINE | ITEM | DOCUMENT NUMBER  | PART NUMBER | DESCRIPTION                       | QUANTITY PER VARIATION |
|------|------|------------------|-------------|-----------------------------------|------------------------|
|      |      |                  |             |                                   | 00                     |
| 31   | 31   |                  | 1213369-00  | BELT,WOVEN,ENDLESS,375WX27.148LG  | 1                      |
| 32   | 32   |                  | 1213686-01  | MOUNTING RAIL FOR 12-13686-00     | 1                      |
| 33   | 33   |                  | 1214330-00  | SPRING,EXTENSION,2.5LGX.360D      | 1                      |
| 34   | 34   |                  | 9006022-01  | SCREW,PAN,PHIL 6-32X 3/8 SS       | 2                      |
| 35   | 35   |                  | 9006035-01  | SCREW,PAN,PHIL 8-32X 1/4 SS       | 6                      |
| 36   | 36   |                  | 9006037-01  | SCREW,PAN,PHIL 8-32X 3/8 SS       | 13                     |
| 37   | 37   |                  | 9006039-01  | SCREW,PAN,PHIL 8-32X 1/2 SS       | 12                     |
| 38   | 38   |                  | 9006633-00  | WASHER,LOCK,INT,.2800D X .146ID   | 4                      |
| 39   | 39   |                  | 9006634-00  | WASHER,LOCK,INT,.2300D X .172ID   | 15                     |
| 40   | 40   |                  | 9006636-00  | WASHER,LOCK,INT,.3800D X .200ID   | 3                      |
| 41   | 41   |                  | 9007079-00  | CLAMP, CABLE, SCREW MNT, 1/8"     | 4                      |
| 42   | 42   |                  | 9008955-01  | SCREW,PAN,PHIL 10-32X 15/16SS     | 3                      |
| 43   | 43   | D-IA-7015637-0-0 | 7015637-01  | RL02 DATA HEAD "A" DN             | 1                      |
| 44   | 44   |                  | 9009884-00  | WASHER, FLAT, DELRIN .62 OD X.31  | 4                      |
| 45   | 45   |                  | 9009885-00  | WASHER, SPRING                    | 2                      |
| 46   | 46   | B-MD-7420084-0-0 | 7420084-00  | SHIM, LATCH                       | A/R                    |
| 47   | 47   | C-MD-7416865-0-0 | 7416865-00  | BRACKET LATCH                     | 1                      |
| 48   | 48   | D-MD-7420826-0-0 | 7420826-00  | COVER, DC SERVO BOARD             | 1                      |
| 49   | 49   |                  | 9006040-01  | SCREW,PAN,PHIL 8-32X 5/8 SS       | 2                      |
| 50   | 50   |                  | 9006653-00  | WASHER, FLAT, .375 O.D. X .156 I  | 3                      |
| 51   | 51   |                  | 1214359-00  | WASHER,FLAT,S/S .169ID X .620D X  | 2                      |
| 52   | 52   |                  | 9006660-00  | WASHER, FLAT, .375 O.D. X .187 I  | 11                     |
| 53   | 53   |                  | 9009759-00  | SCREW,FLAT,PHIL, 8-32X 3/8        | 2                      |
| 54   | 54   |                  | 9006454-00  | RIVET, BLIND, .156 DIA X .254 LG  | 10                     |
| 55   | 55   | B-MD-7420084-0-0 | 7420084-01  | SHIM LATCH                        | A/R                    |
| 56   | 56   |                  | 3700406-00  | INSTR PKG DISK RL01 DRIVE         | 1                      |
| 57   | 57   |                  | 9007649-00  | WASHER, LOCK, EXTERNAL TOOTH #6   | 5                      |
| 58   | 58   |                  | 9006021-01  | SCREW,PAN,PHIL 6-32X 5/16 SS      | 4                      |
| 59   | 59   |                  | 9008072-00  | WASHER, LOCK, EXTERNAL TOOTH #8   | 21                     |
| 60   | 60   |                  | 9009974-00  | WASHER, FLAT, METAL, .62 O.D. X . | 2                      |
| 61   | 61   |                  | 3613209-03  | LABEL,ELECTRICAL DATA VARIATIO    | 1                      |
| 62   | 62   | D-MD-7420068-0-0 | 7420068-00  | SHIELD POSITIONER                 | 1                      |
| 63   | 63   |                  | 3614783-00  | LABEL,ADH BACK "DANGER HIGH VOLT  | 1                      |
| 64   | 64   | A-DC-7416197-0-0 | 7416197-02  | LABEL, UL                         | 1                      |
| 65   | 65   |                  | 3613211-01  | DECAL,CLEAR PREPRINTED CSA 1-1/4  | 1                      |
| 66   | 66   |                  | 3615687-00  | LABEL,ADHESIVE BACK FOR RL02      | 1                      |
| 67   | 67   |                  | 3615393-05  | LABEL,RUB-ON,RL02                 | 1                      |
| 68   | 68   |                  | 3618098-01  | LABEL,ATTENTION SHIPPING HDW      | 1                      |
| 69   | 69   |                  | 9006418-01  | SCREW,TAPPING,TYPE TT,PAN,PHIL,   | 2                      |
| 70   | 70   | B-MD-7422834-0-0 | 7422834-00  | INSULATOR,HEAD CABLE              | 1                      |
| 71   | 71   |                  | 9009023-00  | WASHER,LOCK,INT,.3300D X .172ID   | 2                      |
| 72   | 72   | C-IA-7017608-0-0 | 7017608-00  | *** THIS ITEM IS NOT USED ***     | -                      |
| 73   | 73   | B-IA-7017609-0-0 | 7017609-00  | *** THIS ITEM IS NOT USED ***     | -                      |

|   |   |   |   |   |   |   |                          |                |      |      |                 |     |
|---|---|---|---|---|---|---|--------------------------|----------------|------|------|-----------------|-----|
| D | I | G | I | T | A | L | TITLE                    | SECTION A OF A | SIZE | CODE | DOCUMENT NUMBER | REV |
|   |   |   |   |   |   |   | RL02 DISK DRIVE ASSEMBLY |                | K    | FL   | RL02-0-DBP      | K   |

| LINE ITEM | DOCUMENT NUMBER  | PART NUMBER | DESCRIPTION                      | QUANTITY PER VARIATION |
|-----------|------------------|-------------|----------------------------------|------------------------|
|           |                  |             |                                  | 00                     |
| 1         |                  | 9006070-01  | SCREW,PAN,PHIL 10-32X 5/16 SS    | 4                      |
| 2         | D-IA-7416326-0-0 | 7416326-00  | CHASSIS                          | 1                      |
| 3         |                  | 9006028-01  | SCREW,PAN,PHIL 6-32X1 SS         | 1                      |
| 4         | C-AD-7012127-0-0 | 7012127-00  | CHASSIS ASSY                     | 1                      |
| 5         |                  | 9008072-00  | WASHER, LOCK, EXTERNAL TOOTH #8  | 4                      |
| 6         |                  | 1210430-00  | BRACKET,CAPACITOR,2"             | 1                      |
| 7         |                  | 1210431-00  | BRACKET,CAPACITOR,3-1/16"        | 1                      |
| 8         |                  | 1213156-01  | BRACKET,CAPACITOR,WRAP-AROUND    | 1                      |
| 9         |                  | 9007016-00  | GROMMET, RUBBER                  | 1                      |
| 10        |                  | 1213683-00  | BOOT,CAPACITOR,RUBBER            | 1                      |
| 11        |                  | 9007113-00  | *** THIS ITEM IS NOT USED ***    | -                      |
| 12        |                  | 9009768-01  | BUSHING,STRAIN RELIEF .280-.393W | 1                      |
| 13        |                  | 9007082-00  | CLAMP,CABLE,SCREW MTD. 5/16"     | 3                      |
| 14        |                  | 9009800-01  | SCREW,PAN,PHILLIPS, 6X7/8 SELF-  | 4                      |
| 15        |                  | 9009059-01  | TAPE,FOAM, 1/2W X 1/4THK W/ ADH  | A/R                    |
| 16        |                  | 9006020-01  | SCREW,PAN,PHIL 6-32X 1/4 SS      | 12                     |
| 17        |                  | 9006023-01  | SCREW,PAN,PHIL 6-32X 7/16 SS     | 3                      |
| 18        |                  | 9006036-01  | SCREW,PAN,PHIL 8-32X 5/16 SS     | 4                      |
| 19        |                  | 9006027-01  | SCREW,PAN,PHIL 6-32X 7/8 SS      | 3                      |
| 20        |                  | 1013102-00  | 10 MFD 370VAC 6% PAPER/OIL       | 1                      |
| 21        | D-IA-7012108-0-0 | 7012108-00  | POWER PANEL HARNESS              | 1                      |
| 22        |                  | 1215360-00  | FILTER,LINE,115/250V,47-400HZ, F | 1                      |
| 23        |                  | 9006633-00  | WASHER,LOCK,INT,.2800D X .146ID  | 11                     |
| 24        |                  | 1216827-00  | CKT BKR 2.5 A 250V 2P MAGNETIC   | 1                      |
| 25        |                  | 1209403-01  | FAN,115CFM,SLEEVE BRNG           | 1                      |
| 26        | B-IA-7012110-0-0 | 7012110-00  | HARNESS AC-TB                    | 1                      |
| 27        |                  | 1210263-00  | GUARD,FINGER 4.125 X 4.125 MTG H | 1                      |
| 28        |                  | 1613897-00  | XFMR P=AB S=11.5@6A              | 1                      |
| 29        |                  | 1110051-00  | DM 16 ASSY@200V & 25A #990-3     | 1                      |
| 30        |                  | 1013530-00  | 66,000 MFD 30V +75-10% AL EL     | 1                      |

| REVISION HISTORY |               |     | BASIC PART NO:           | ORL01 | DRN:   | D. MELCHOIR  | DATE: | 12-AUG-76 | DIGITAL              |            |  |  |
|------------------|---------------|-----|--------------------------|-------|--------|--------------|-------|-----------|----------------------|------------|--|--|
| ENG              | ECD NUMBER    | REV | SECTION A                | OF A  | CHK'D: | G. SCHNEIDER | DATE: | 24-AUG-77 | TITLE                | PARTS LIST |  |  |
| KG               | 7012130-CX010 | IP  | SECTION. VARIATION INDEX |       |        |              |       |           | POWER PANEL ASSEMBLY |            |  |  |
| KG               | RL02-CX008    | IR  | [A] 00                   |       |        |              |       |           |                      |            |  |  |
| KG               | 7012130-CX011 | IS  | [B]                      |       |        |              |       |           |                      |            |  |  |
| MZ               | RL02-CX010    | IT  | [C]                      |       |        |              |       |           |                      |            |  |  |
| KG               | 7012130-CX012 | IU  | [D]                      |       |        |              |       |           |                      |            |  |  |
| IW               | 7012130-CX013 | IV  | [E]                      |       |        |              |       |           |                      |            |  |  |
|                  |               |     | [F]                      |       |        |              |       |           |                      |            |  |  |
|                  |               |     | [G]                      |       |        |              |       |           |                      |            |  |  |
|                  |               |     | [H]                      |       |        |              |       |           |                      |            |  |  |
|                  |               |     | [I]                      |       |        |              |       |           |                      |            |  |  |
|                  |               |     | [J]                      |       |        |              |       |           |                      |            |  |  |
|                  |               |     | [K]                      |       |        |              |       |           |                      |            |  |  |
|                  |               |     | [L]                      |       |        |              |       |           |                      |            |  |  |
|                  |               |     | [M]                      |       |        |              |       |           |                      |            |  |  |
|                  |               |     | [N]                      |       |        |              |       |           |                      |            |  |  |
|                  |               |     | [O]                      |       |        |              |       |           |                      |            |  |  |
|                  |               |     | [P]                      |       |        |              |       |           |                      |            |  |  |
|                  |               |     | [Q]                      |       |        |              |       |           |                      |            |  |  |
|                  |               |     | [R]                      |       |        |              |       |           |                      |            |  |  |
|                  |               |     | [S]                      |       |        |              |       |           |                      |            |  |  |
|                  |               |     | [T]                      |       |        |              |       |           |                      |            |  |  |
|                  |               |     | [U]                      |       |        |              |       |           |                      |            |  |  |
|                  |               |     | [V]                      |       |        |              |       |           |                      |            |  |  |
|                  |               |     | [W]                      |       |        |              |       |           |                      |            |  |  |
|                  |               |     | [X]                      |       |        |              |       |           |                      |            |  |  |
|                  |               |     | [Y]                      |       |        |              |       |           |                      |            |  |  |
|                  |               |     | [Z]                      |       |        |              |       |           |                      |            |  |  |

\*THIS DRAWING AND SPECIFICATIONS HEREIN, ARE THE PROPERTY OF DIGITAL EQUIPMENT CORPORATION AND SHALL NOT BE REPRODUCED OR COPIED OR USED IN WHOLE OR IN PART AS THE BASIS FOR THE MANUFACTURE OR SALE OF ITEMS WITHOUT WRITTEN PERMISSION. COPYRIGHT (C) 1980. DIGITAL EQUIPMENT CORPORATION \*

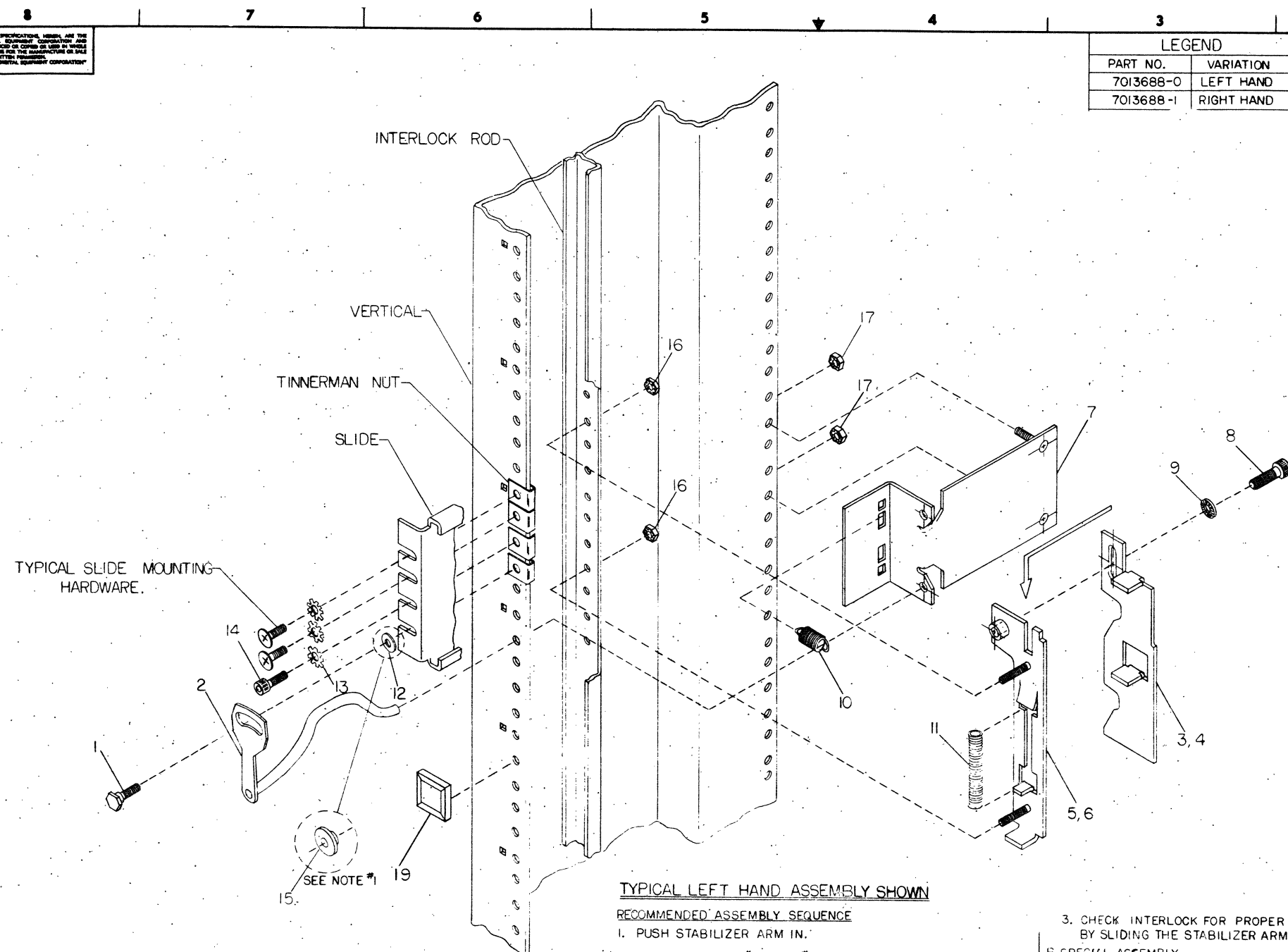


| LINE ITEM | DOCUMENT NUMBER | PART NUMBER      | DESCRIPTION                          | QUANTITY PER VARIATION |
|-----------|-----------------|------------------|--------------------------------------|------------------------|
|           |                 |                  |                                      | 00                     |
| 31        | 31              | 1013531-00       | 20,000 MFD 40V +75-10% AL EL         | 1                      |
| 32        | 32              | B-IA-7012109-0-0 | 7012109-00 POWER HARNESS             | 1                      |
| 33        | 33              | 9006560-00       | NUT,KEP 6-32 X5/16AF                 | 6                      |
| 34        | 34              | C-IA-7012142-0-0 | 7012142-00 CABLE                     | 1                      |
| 35        | 35              | B-IA-7012125-0-0 | 7012125-0E INTERCONNECT CABLE        | 1                      |
| 36        | 36              | B-IA-7012125-0-0 | 7012125-0B TR INTERCONNECTOR HARNESS | 1                      |
| 37        | 37              | 9006653-00       | WASHER, FLAT, .375 O.D. X .156 T     | 7                      |
| 38        | 38              | 9009800-06       | SCREW,PAN,PHILLIPS, 6X.38            | 3                      |
| 39        | 39              | 9006635-00       | WASHER,LOCK,INT,.3100D X .200ID      | 4                      |
| 40        | 40              | 9007649-00       | WASHER, LOCK, EXTERNAL TOOTH #6      | 8                      |
| 41        | 41              | 9006021-01       | SCREW,PAN,PHIL 6-32X 5/16 SS         | 4                      |
| 42        | 42              | 1211591-35       | CONN,ZIF 40PIN RCPT ASSY             | 2                      |
| 43        | 43              | 1211591-38       | CONN,ZIF 40PIN RCPT,SWAP IN GU       | 4                      |
| 44        | 44              | 9008301-01       | SCREW,PAN,PHIL 4-40X 1/4 SS          | 4                      |
| 45        | 45              | B-IA-7017609-0-0 | 7017609-00 GROUND HARNESS            | 1                      |
| 46        | 46              | C-IA-7017608-0-0 | 7017608-00 GROUND HARNESS            | 1                      |
| 47        | 47              | 9009255-00       | LABEL, POWER SUPPLY, 2-15/16 * L     | 1                      |
| 48        | 48              | 3612680-00       | DECAL, GROUND SIGN PER 3E6 *         | 2                      |

|   |   |   |   |   |   |   |                      |                |      |      |                 |     |
|---|---|---|---|---|---|---|----------------------|----------------|------|------|-----------------|-----|
| D | I | G | I | T | A | L | TITLE                | SECTION A OF A | SIZE | CODE | DOCUMENT NUMBER | REV |
|   |   |   |   |   |   |   | POWER PANEL ASSEMBLY |                | K    | PL   | 7012130-0-DBF   | V   |



THIS DRAWING IS UNCLASSIFIED, UNLESS AND UNLESS OTHERWISE SPECIFIED, AND THE PROPERTY OF SPERRY GYROSCOPE COMPANY AND IS TO BE KEPT IN CONFIDENCE AND NOT TO BE REPRODUCED OR TRANSMITTED IN ANY FORM OR BY ANY MEANS, ELECTRONIC OR MECHANICAL, INCLUDING PHOTOCOPYING, RECORDING, OR BY ANY INFORMATION STORAGE AND RETRIEVAL SYSTEM. THE INFORMATION ON THIS DRAWING IS UNCLASSIFIED, UNLESS AND UNLESS OTHERWISE SPECIFIED, AND THE PROPERTY OF SPERRY GYROSCOPE COMPANY AND IS TO BE KEPT IN CONFIDENCE AND NOT TO BE REPRODUCED OR TRANSMITTED IN ANY FORM OR BY ANY MEANS, ELECTRONIC OR MECHANICAL, INCLUDING PHOTOCOPYING, RECORDING, OR BY ANY INFORMATION STORAGE AND RETRIEVAL SYSTEM.



| LEGEND    |            |
|-----------|------------|
| PART NO.  | VARIATION  |
| 7013688-0 | LEFT HAND  |
| 7013688-1 | RIGHT HAND |

- NOTE:**
- USE ITEM #15 (SHOULDER, WASHER) IN PLACE OF ITEM #1 (FLAT WASHER) WHEN ITEM #1 (RETAINER INTERLOCK) IS NOT MOUNTED THROUGH A SLIDE MOUNTING HOLE.
  - ASSEMBLE ITEM #9 (SPRING, WASHER) WITH CONVEX SIDE TOWARD ITEM #3, 4 (PLATE, CAM).
  - CABINET EQUIPMENT MOUNTING HOLES ARE NUMBERED CONSECUTIVELY FROM THE BOTTOM UP. A SQUARE HOLE IS PROVIDED EVERY FIFTH MOUNTING HOLE TO AID IN COUNTING. WITH STABILIZER ARM PUSHED IN, THE INTERLOCK ROD HOLE PATTERN LINES UP WITH THE VERTICAL MOUNTING HOLES AND IS NUMBERED THE SAME.
  - ITEM #14 MUST ALWAYS BE USED ADJACENT TO ITEM #1.
  - WHEN INSTALLING CABINET TRIM STRIPS, MAKE SURE THEY DON'T INTERFERE WITH INTERLOCK OPERATION.

- INSTRUCTIONS**
- THE SYSTEM DOCUMENTATION WILL SPECIFY THE INTERLOCK LOCATION AND ASSEMBLY BY LETTER AND NUMBER CODE.
  - THE FIRST LETTER OF THE CODE SPECIFIES THE DIRECTION IN WHICH THE CHURCH KEY ASSEMBLY MUST BE INSTALLED. "U" SPECIFIES UP (AS SHOWN ON PRINT) AND "D" SPECIFIES DOWN.
    - THE SECOND LETTER (IF ANY) SPECIFIES WHICH OF THE TWO CAM PLATE NOTCHES ENGAGES WITH THE CHURCHKEY ASSEMBLY. IF NO LETTER APPEARS, WE CALL THIS THE NORMAL ASSEMBLY POSITION AND USE THE LOWER NOTCH. IF THE LETTER "S" APPEARS, WE CALL THIS THE SPECIAL ASSEMBLY POSITION AND USE THE UPPER NOTCH.
  - THE NUMBER AT THE END OF THE INSTALLATION CODE SPECIFIES THE CABINET MOUNTING HOLE FOR THE ITEM #1 (INTERLOCK RETAINER). ALL OTHER PARTS OF THE ASSEMBLY ARE REFERENCED FROM THIS HOLE USING THE CHART BELOW.

| DIRECTION / NOTCH SPECIFICATION | BACK PLATE: LOCATION OF TOP MOUNTING STUD | OUTRIGGER: LOCATION OF TOP MOUNTING STUD |
|---------------------------------|---|--|
| U                               | X + 4                                     | X  |
| US                              | X   | X  |
| D                               | X + 6                                     | X + 3                                    |
| DS                              | X + 2                                     | X + 3                                    |

NOTE: 'X' IS THE SPECIFIED INTERLOCK RETAINER LOCATION.

**TYPICAL LEFT HAND ASSEMBLY SHOWN**

**RECOMMENDED ASSEMBLY SEQUENCE**

- PUSH STABILIZER ARM IN.
- ASSEMBLE ITEM #5, 6 AND #11 ONTO INTERLOCK ROD USING ITEMS #16.
- ASSEMBLE ITEM #3, 4 ONTO ITEM #5, 6 USING ITEMS #8 AND #9. TIGHTEN ITEM #8 ONLY AFTER DEPRESSING ITEM #3, 4 AGAINST SPRING AS FAR AS POSSIBLE.
- HOOK ITEM #10 INTO ITEM #7. USE UPPER SLOT FOR "U" ASSEMBLIES AND LOWER SLOT FOR "D" ASSEMBLIES. INSTALL ITEM #7 ONTO CABINET VERTICAL USING ITEMS #17, TORQUE TO 80 MAX INCH POUNDS.
- INSTALL ITEM #2 REMEMBERING TO PASS THROUGH ITEM #10 BEFORE ENGAGING ITEM #7.
  - NORMAL ASSEMBLY**
    - MOUNT SLIDE USING ITEMS #1, #2, #3, #4 AND TYPICAL SLIDE MOUNTING HARDWARE.
    - ADJUST INTERLOCK BY LOOSENING ITEM #8, ALLOWING ITEM #3, 4 TO ASSUME ITS PROPER POSITION AND RETIGHTEN ITEM #8 TO 75 INCH-POUNDS.
  - SPECIAL ASSEMBLY**
    - INSTALL ITEM #1 AND #15 WITHOUT SLIDE.
    - ADJUST INTERLOCK BY LOOSENING ITEM #8, ALLOWING ITEM #3, 4 TO ASSUME ITS PROPER POSITION AND RETIGHTEN ITEM #8 TO 70 ± 30 INCH-POUNDS.
    - REMOVE ITEM #1, #15.
    - MOUNT SLIDE USING ITEMS #1, #2, #3, #4 AND TYPICAL SLIDE MOUNTING HARDWARE.
    - CHECK INTERLOCK FOR PROPER OPERATION BY SLIDING THE STABILIZER ARM IN AND OUT.
- AT THIS POINT IN THE ASSEMBLY, PROCEDURES FOR NORMAL ASSEMBLY AND SPECIAL ASSEMBLY DIFFER.
  - NORMAL ASSEMBLY**
    - MOUNT SLIDE USING ITEMS #1, #2, #3, #4 AND TYPICAL SLIDE MOUNTING HARDWARE.
    - ADJUST INTERLOCK BY LOOSENING ITEM #8, ALLOWING ITEM #3, 4 TO ASSUME ITS PROPER POSITION AND RETIGHTEN ITEM #8 TO 75 INCH-POUNDS.
  - SPECIAL ASSEMBLY**
    - INSTALL ITEM #1 AND #15 WITHOUT SLIDE.
    - ADJUST INTERLOCK BY LOOSENING ITEM #8, ALLOWING ITEM #3, 4 TO ASSUME ITS PROPER POSITION AND RETIGHTEN ITEM #8 TO 70 ± 30 INCH-POUNDS.
    - REMOVE ITEM #1, #15.
    - MOUNT SLIDE USING ITEMS #1, #2, #3, #4 AND TYPICAL SLIDE MOUNTING HARDWARE.
    - CHECK INTERLOCK FOR PROPER OPERATION BY SLIDING THE STABILIZER ARM IN AND OUT.

- CHECK INTERLOCK FOR PROPER OPERATION BY SLIDING THE STABILIZER ARM IN AND OUT.
- SPECIAL ASSEMBLY**
  - INSTALL ITEM #1 AND #15 WITHOUT SLIDE.
  - ADJUST INTERLOCK BY LOOSENING ITEM #8, ALLOWING ITEM #3, 4 TO ASSUME ITS PROPER POSITION AND RETIGHTEN ITEM #8 TO 70 ± 30 INCH-POUNDS.
  - REMOVE ITEM #1, #15.
  - MOUNT SLIDE USING ITEMS #1, #2, #3, #4 AND TYPICAL SLIDE MOUNTING HARDWARE.
  - CHECK INTERLOCK FOR PROPER OPERATION BY SLIDING THE STABILIZER ARM IN AND OUT.
- BOTH SPECIAL AND NORMAL ASSEMBLIES -** INSTALL ITEMS #19, ONE ON EACH VERTICAL MOUNTING RAIL (BOTH SIDES OF EQUIPMENT), IN THE PLACES WHERE THE REARMOST PART OF THE BEZEL WOULD NORMALLY STRIKE. ITEMS #19 MUST NOT INTERFERE WITH ITEM #2 (ASSEMBLY, CHURCHKEY) OR TRIM STRIPS.

**CAUTION: OFF PRINT PARTS LIST**  
A-PL-7013688-0-0

REV. 1  
DATE 12/15/76  
BY T. STONE  
CHK'D BY  
ENGR. J. J. JONES  
PROL. ENGR. J. J. JONES  
PRD. J. J. JONES

| DESCRIPTION              | QTY | PART NO.    | ITEM NO. |
|--------------------------|-----|-------------|----------|
| INTERLOCK KIT (MARK III) | 1   | 7013688-0-0 | A        |

UNLESS OTHERWISE SPECIFIED DIMENSIONS ARE IN INCHES

|                              |                               |           |        |       |        |       |
|------------------------------|-------------------------------|-----------|--------|-------|--------|-------|
| APPROX. # OF SURFACE QUALITY | CLASS OF ACCURACY (CHECK ONE) | PRECISION | FINISH | TEMP. | STRESS | TEST  |
|                              | MEDIUM                        | 1.000     | 1.000  | 1.000 | 1.000  | 1.000 |
|                              | PREFERRED                     | 1.000     | 1.000  | 1.000 | 1.000  | 1.000 |

THIRD ANGLE PROJECTION

DR. R. OLSON 2-4-76 FIRST USED ON H3500-A

REMOVE BURRS AND BREAK SHARP CORNERS

DO NOT SCALE DIMS

SEE PARTS LIST

FINISH NONE

SCALE NONE

SHEET 1 OF 1